

Hands-free Car Kit

3200 LS-Color
3400 LS-GPS
User manual

For Bluetooth
Mobile Phone

- ENG P.3
- FRA P.14
- ESP P.25
- ITA P.36
- DUT P.47
- DEU P.58
- POR P.69



Warning

The manufacturer Parrot S.A. and its affiliates should not be held liable towards end users or third parties to prejudice caused by misuse of the product, nor for usage that would be in violation of local traffic regulations and laws.

Disclaimer

The information in this document is subject to change without notice and does not represent a commitment on the part of vendor. No warranty or representation, either expressed or implied, is made with respect of quality, accuracy or fitness for any particular purpose of this document. The associated with it at any time without obligation to notify any person or organisation of such changes. In no event will the manufacturer be liable for direct, indirect, special, incidental or consequential damages arising out of the use or inability to use this product or documentation, even if advised of the possibility of such damages. This document contains material protected by copyright. All rights are reserved. No part of this manual may be reproduced or transmitted in any form, by any means or for any purpose without express written consent. Product names appearing in this document are mentioned for identification purposes only. All trademarks, product names appearing in this document are registered property of their respective owners.

FCC Compliance Statement



This device complies with part 15 of the FCC rules. Operation is subject to the following two conditions.

1. This device may not cause harmful interference.
2. This device must accept any interference received, including interference that may cause undesired operation.

Declaration of Conformity



We, Parrot S.A. of 174 quai de Jemmapes, 75010 Paris, France, declare under our sole responsibility that our product, the Parrot 3200 LS-Color/3400LS-GPS, to which this declaration relates is in conformity with appropriate standards EN300328, EN301489-17, EN 60950 following the provision of Radio Equipment and Telecommunication Equipment directive, with requirements covering EMC directive 89/336/EEC and Low Voltage directive 73/23/EEC.

Bluetooth®

The Bluetooth® word mark and logos are owned by the Bluetooth® SIG, Inc. and any use of such marks by Parrot S.A. is under license. Other trademarks and trade names are those of their respective owners.

Correct Disposal of This Product (Waste Electrical & Electronic Equipment)



(Applicable in the European Union and other European countries with separate collection systems). This marking shown on the product or its literature, indicates that it should not be disposed with other household wastes at the end of its working life. To prevent possible harm to the environment or human health from uncontrolled waste disposal, please separate this from other types of wastes and recycle it responsibly to promote the sustainable reuse of material resources. Household users should contact either the retailer where they purchased this product, or their local government office, for details of where and how they can take this item for environ, mentally safe recycling. Business users should contract their supplier and the terms and conditions of the purchase contract. This product should not be mixed with other commercial wastes for disposal.

3200 LS-COLOR / 3400 LS-GPS

Directions for use - User guide



English

Português
Deutsch
Dutch
Italiano
Español
Français

INTRODUCTION

The Bluetooth® technology enables voice and data communications via a short-distance radio link. It allows several electronic devices to communicate with each other, particularly telephones and hands-free kits.

Parrot is drawing on its long years of experience in signal processing and voice recognition technology to introduce a hands-free kit offering superior audio quality during calls.

Thank you for buying a Parrot hands-free kit. With the Parrot 3200 LS-Color, you will be able to make telephone calls from your car while keeping your hands on the wheel.

With its colour interface and customisable wallpaper, the Parrot 3200 LS-Color is the most user-friendly hands-free kit. It acts as a real extension of your mobile phone. We hope that the kit will give you complete satisfaction.

KIT CONTENTS

- Colour LCD screen
- Installation cable
- Electronic control unit
- Directions for use
- Fitting accessories
- Microphone

FITTING

First of all, choose the place for the colour screen inside your vehicle. We would advise you to fit it in the centre of the dashboard or near you.

Make sure that you can view the screen at a good angle and that it does not obstruct your view of the road. Once the hands-free kit is fully installed and switched on, you can adjust the screen's brightness.

There are two places where you can choose to fit the microphone connection: either directly at the side of the screen or on the cable connected to the bottom of the screen. Place the microphone to the left of the rear-view mirror to ensure optimum audio quality.

The installation cable is equipped with ISO connectors and a line-out jack for connecting directly to your amplifier, if applicable.

Car stereo with line-in jacks:

Preferably use this type of connection by connecting the brown and white wires (or red and black), along with the yellow mute wire to the back of your car stereo.

Car stereo with ISO connectors:

Disconnect the car stereo's audio and power leads. Join the female connectors of the kit's cable to the car stereo. Join the vehicle's audio and power supply cables to the male connectors. If the car stereo features a mute jack, connect the yellow wire of the kit's cable to one of the "mute-in" jacks (1, 2 or 3).

Car stereo without ISO connectors:

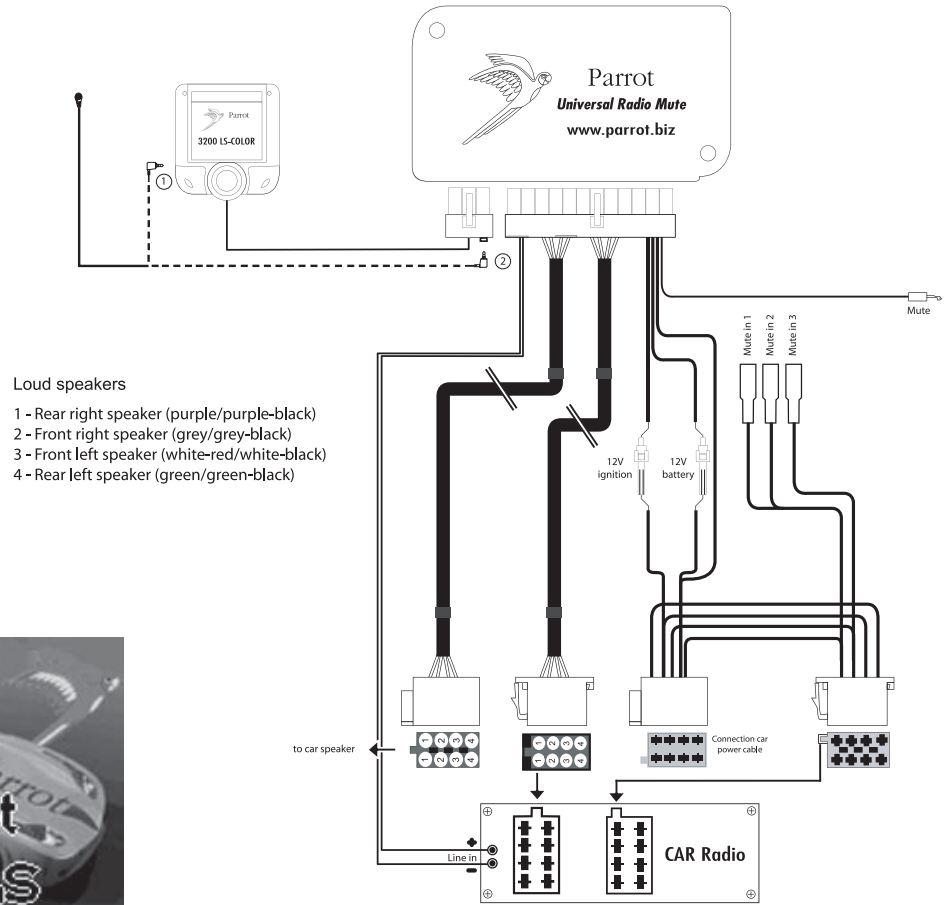
You must purchase an ISO adapter cable.

Fitting the kit's cable:

- . The red wire of the kit's cable must be connected to the constant 12V supply, the orange wire to the ignition 12V and the black wire to earth.
- . Check the wiring diagram of the car stereo's ISO lead.
 - On some vehicles, the red and orange wires may need to be reversed. This can easily be done by reversing the two fuse holders.
- . Do not connect the orange wire to the constant 12V supply, as you could run down the vehicle's battery.

Checking the installation:

- . If your 3200 LS-Color is correctly fitted, you should see the message "Goodbye" on the screen when you switch off your car's ignition.
 - Otherwise, the ignition 12V and the constant 12V supply have been reversed. In this case, reverse the two fuse holders on the kit's power supply lead.



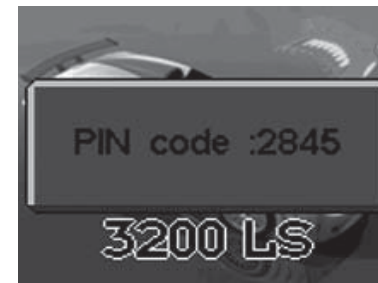
PAIRING WITH YOUR MOBILE PHONE: Using for the first time

The first time that you switch on the 3200 LS-Color, you must pair your mobile phone with the kit.

- . Enable the Bluetooth mode on your phone.
- . On the hands-free kit, scroll through the menus until you come to Settings Pair with phone..., and select the relevant option for your phone. A 4-digit PIN code then appears on screen. Memorise it.
- . Search for any peripherals: for further information on this procedure, refer to the Bluetooth chapter in your mobile phone's user guide or check out our website at : www.parrot.biz/guide_chm/3200LS_COLOR/index.html
- . Once the search has finished, "Parrot 3200LS / Parrot 3400LS" is displayed on your phone.
- . Select the kit. Your phone prompts you to enter a code: key in the code shown on the kit screen and confirm on your phone.
- . The kit's screen displays "Pairing".
- . Once the data has been exchanged, "pairing successful" appears on the 3200 LS-Color.
- . The 3200 LS-Color then connects to your phone. Once the connection has been made, the Bluetooth logo is displayed on the screen (except for certain phones using the Headset profile).
- . Some phones offer additional features, such as displaying your phone's

name on the kit's screen, as well as the battery and signal levels and the operator's name.

You can now access the menus and their name is announced by the hands-free kit when you turn the scroll wheel. Press the green button (or the scroll wheel) to access the menus, and press the red button to exit them.



You can now use your hands-free kit to make and receive calls.

- . **Receiving a call:** press the green button to answer the call.
- . **Ending a call:** press the red button.
- . **Redial function:** hold down the green key on the kit for two seconds to redial the last number dialled.
- . **Adjusting the volume:** turn the scroll wheel during a call to adjust the volume.

FEATURES

The kit's screen displays your mobile phone's main information, in particular your phonebook.

- ♦ Automatic downloading of your phonebook.
- ♦ Display of the caller's name and image.
- ♦ Contacts phoned using the kit's voice recognition feature.
- ♦ Car stereo muting during calls.
- ♦ Call records.
- ♦ Volume adjustment during calls.
- ♦ Dual call management.
- ♦ Automatic redial of the last caller.
- ♦ Wallpaper change.
- ♦ Brightness settings.
- ♦ Ringtone selection.
- ♦ Language setting.
- ♦ DTMF: when you receive a call from your message system, press the scroll wheel so that you can access the digits allowing you to manage your message.

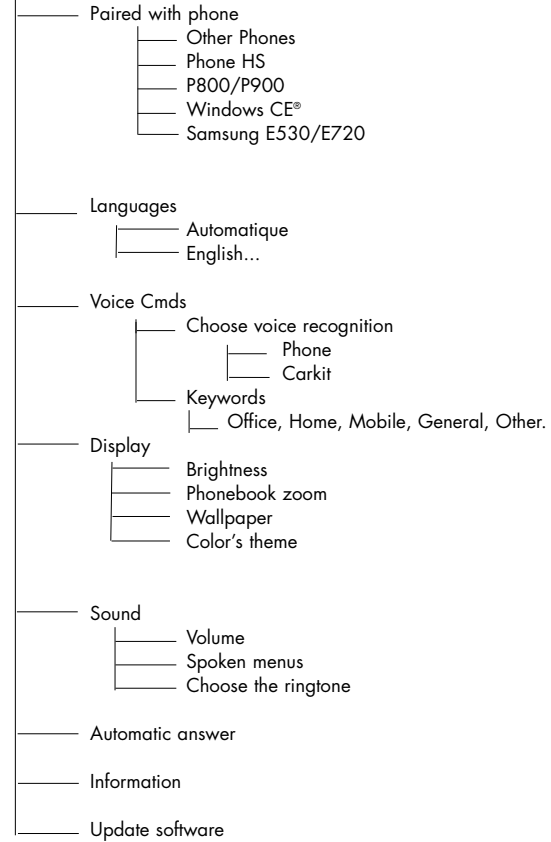
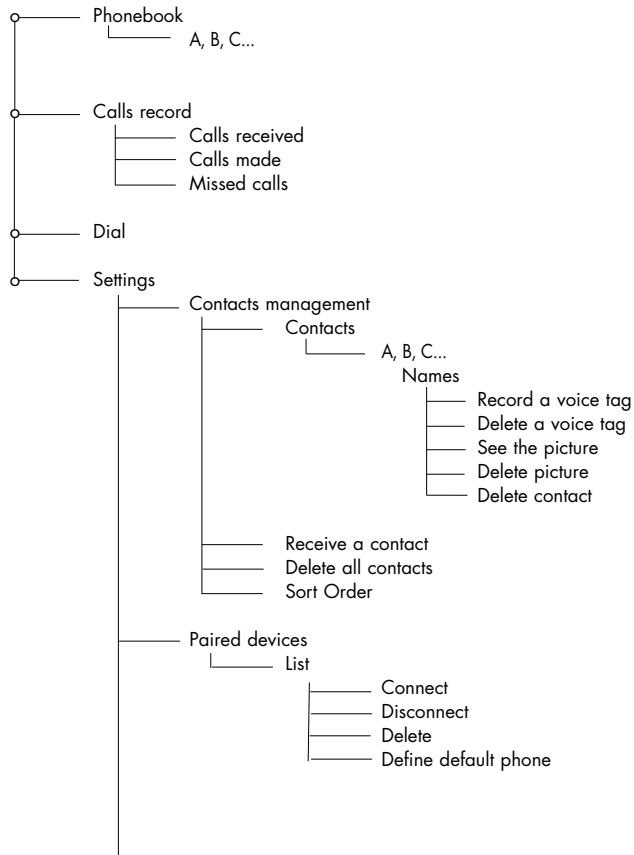


Note: most of these features depend on your phone.

English

Português Deutsch Dutch Italiano Español Français

MENUS



ACCESSING THE MENUS

Phonebook

After pairing your phone with the 3200 LS-Color, synchronisation with your phonebook will begin automatically (*). Once the synchronisation process is complete, you can access your phonebook from the hands-free kit screen. To access your phonebook and call a contact, turn the scroll wheel to access the menus, then select Phonebook. Scroll through the letters until you reach the first letter of the relevant person's name and confirm. You will then see this person's name and the various phone numbers you have for them.

(* Depending on the model of your Bluetooth phone. Visit our website at www.pparrot.biz for the latest information on synchronisation.

Call records

This menu option displays the list of calls and is divided into three sub-menus: Missed calls / Calls received / Calls made.

It is automatically synchronised with your phone's call records (*) and you can access them to call back a missed call.

- Select the contact from these menus.
- Press the scroll wheel or the green button to call the contact back.

(* Depending on the model of your Bluetooth phone.

Dial

Select this menu to dial a number directly via the kit.

- Turn and press the scroll wheel to select a digit.
- The trashcan icon deletes the last digit.
- Once the number has been dialled, press the green button to call.

PREFERENCES

This menu enables you to fine-tune your 3200 LS-Color for easier use.

Contact management

This menu enables you to manage contacts in the Parrot 3200 LS-Color. Once you have selected the contact from the list (which you access via the Contact management menu) you can record or delete a voiceprint, view or delete the photo, or delete the contact from the phonebook.

You can also receive a contact with the relevant photo (if supported by the phone) by selecting Receive a contact. Select on your phone the contact you want to send via Bluetooth to the hands-free kit. From then on, whenever this person calls you, his or her photo and name will appear on the kit screen. Refer to your phone's user guide or check out.

www.pparrot.biz/guide_CHM/3200LS_Color/index.html.

You can also delete all the contacts in the kit or reverse the sort order from surname-first name to first name-surname



VOICE RECOGNITION

Select voice recognition

The voice recognition capability featured by the 3200 LS-Color is more extensive and robust than that boasted by mobile phones, and can work in noisy surroundings.

- **Car kit reco:** the selected voiceprints are those recorded in the memory of the hands-free kit.
- **Phone reco:** the selected voiceprints are those recorded in the memory of the phone.

Keywords

Recording keywords enables you to phone without taking your hands off the wheel. You can control the whole call with your voice.

Keywords: Home, Work, Mobile, General, Other.

Keywords are used to select the required phone number when several different numbers are associated with the same contact. All keywords must be recorded, so that they can be validated.

Once the keywords have been recorded, you need to say the following sequence of words to be able to make a call using the voice recognition feature.

Press the green button and after the beep, say: "John Smith... (beep)...Work...". And this will put you in touch with John Smith using the phone number classified as his work number.

Paired devices

The 3200 LS-Color lets you pair up to five Bluetooth phones, but bearing in mind that only one can be connected at any one time.

The Paired devices menu allows you to connect, disconnect or delete a phone from the kit's memory.

From the Define default phone menu option, you can control the priority level given to the Bluetooth phone during connections with several phones in the car.

Caution:

Deleting a paired phone will clear any voiceprints attributed to the contacts on that phone.

Pair phone

Before pairing your Bluetooth phone, you must enable the mode corresponding to your Bluetooth phone.

The different modes are as follows:

- Other phones
- Headset phones
- P800-P900
- Windows CE
- Sony-Ericsson K600, W800, K750
- Samsung E530, E720,
- Samsung D500, Sagem My-X8
- Motorola iDEN 605
- Samsung Z140, Z300, Z500

Once the relevant mode has been selected, a (random) 4-digit code appears. Start searching for Bluetooth peripherals from your phone. Once you have found the hands-free kit, select it and enter this code.

Note: for greater compatibility with phones, new pairing modes are likely to be added to future versions.

Language

Select the language for displaying the menus on your 3200 LS-Color.

Display

Five options are available for customising the way in which information is displayed:

- **Brightness :** use the scroll wheel to obtain the required level and confirm by clicking the scroll wheel.
- **Phonebook zoom:** used to display the Phonebook menu over 3 or 4 lines.
- **Wallpaper:** allows you to select a wallpaper image.
- **Theme:** allows you to select a color theme.

Sounds

- **Volume:** use the scroll wheel to control the volume level of the call and the microphones' sensitivity.
- **Speaking menus:** adjust the volume of the hands-free kit's prompts to the required level.
- **Ringtone selection:** for phones that do not play a specific ringtone for incoming calls, select the ringtone that you wish to hear when you receive a call.

Automatic answer

Enable this mode if you want the 3200 LS-Color to automatically answer any incoming calls.

Information

This menu provides information on the version of the built-in software.

UPDATE

You can update the software version of your 3200 LS-Color by Bluetooth. Enable this mode before updating. The update is performed by Bluetooth from a computer equipped with Bluetooth.

Updating provides access to new features and improves compatibility with the advanced functions on an even wider range of phones. For further information, visit our website: www.parrot.biz.

PARROT 3400 LS-GPS

The Parrot 3400 LS-GPS kit features a built-in GPS module (Global Positioning System) providing real-time information on the vehicle's current position. This information is available by Bluetooth over a channel that can be accessed by most PDAs and smartphones equipped with navigation software.

Procedure for connecting to the GPS service

If a navigation application is installed on your PDA or smartphone, simply pair your device with the Parrot 3400 and establish a Bluetooth serial connection with the GPS port (the number of the outgoing serial port to be used will depend on your PDA or smartphone).

The configuration to be chosen on your device is NMEA 0183v2 9600 if prompted by your navigation software.

Several statuses may be encountered:

- Status 1: no GPS connected - No fix (satellite icon greyed out)
- Status 2: no GPS connected - Fix (satellite icon coloured)
- Status 3: GPS connected - No fix (satellite icon greyed out, with a transmission symbol)
- Status 4: GPS connected - Fix (satellite icon coloured, with a transmission symbol)

Note: the fix indicates that the satellite data received by the hands-free kit is valid.

Procedure for connecting to the GPS service:

1.If you are already connected via Bluetooth to your phone:

- ♦ Disconnect your phone (hold down the red button on the hands-free kit for two seconds). The hands-free kit then changes to status 1 or 2 (if the fix is established).
- ♦ From your navigation software (installed on your PDA or smartphone), connect to the GPS service of the 3400 LS-GPS. The hands-free kit then changes to status 3 or 4.
- ♦ Once connected, a transmission symbol appears beneath the satellite. If the satellite icon is coloured, the fix is established (hands-free kit in status 4). The distance travelled will then be displayed in the top-right corner of the screen.
- ♦ Once the GPS connection is established, the kit automatically reconnects to your phone's telephony service.

2.If you are not already connected via Bluetooth to your phone:

- ♦ From your navigation software (installed on your PDA or smartphone),

connect to the GPS service of the 3400 LS-GPS. The hands-free kit then changes to status 3 or 4.

- ♦ Once connected, a transmission symbol appears beneath the satellite. If the satellite icon is coloured, the fix is established (hands-free kit in status 4). The distance travelled will then be displayed in the top-right corner of the screen.
- ♦ You can now pair/connect your phone.

Voice indications for navigation

Once the GPS service is connected, you can listen to the voice instructions via your vehicle's speakers. Navigation will then be plain sailing (this feature is only available on certain types of PDA and smartphone, and may also depend on the software).

To enable voice indications, simply open the Headset service available on the hands-free kit from your PDA or smartphone.

When you are connected to the hands-free kit's GPS service, incoming and outgoing calls are managed automatically to ensure that use of the telephony service is made as easy as possible.

GPS menu

In this section, you can completely disable the GPS service to prevent anyone else from connecting to this service.

You will also find menus for customising the display when connected to the GPS: number of satellites, distance (kilometres or miles), and much more.

Note: if your vehicle is fitted with an athermic windscreen, the GPS signal received might be of poor quality, in which case, you can add an external aerial that plugs into the back of the screen. To acquire such an aerial, contact your dealer.



HOTLINE

Our hotline is at your disposal. You can contact the hotline by email or telephone. Open from Monday to Friday between 9 am and 6 pm (GMT+1).

Check out our website (www.parrot.biz) for further information.



NOTES

English

Português
Deutsch
Dutch
Italiano
Español
Français

3200 LS-COLOR / 3400 LS-GPS

Notice d'utilisation - Guide d'utilisateur



English

Français

Español

Italiano

Dutch

Deutsch

Português

INTRODUCTION

La technologie Bluetooth® permet d'établir des communications voix et données via une liaison radio courte distance.

Elle permet à de nombreux équipements électroniques de communiquer entre eux, notamment les téléphones et les kits mains-libres.

Parrot tire bénéfice des ses longues années d'expérience en traitement du signal et reconnaissance vocale pour introduire un kit mains-libres avec une qualité audio supérieure lors des communications.

Merci d'avoir acheté un kit mains-libres Parrot. Avec le Parrot 3200 LS-Color vous allez pouvoir passer des appels téléphoniques depuis votre voiture en gardant les mains sur le volant.

Avec son interface couleur et son fond d'écran personnalisable, le Parrot 3200 LS-Color est le kit mains-libres le plus agréable à utiliser.

Il fonctionne comme une véritable extension de votre téléphone portable.

Nous espérons qu'il vous donnera entière satisfaction

CONTENU DE L'EMBALLAGE

- Ecran LCD couleur.
- Câble d'installation.
- Boîtier électronique.
- Notice d'utilisation.
- Supports de fixation.
- Microphone.

INSTALLATION

Choisissez d'abord l'emplacement de l'écran couleur dans l'habitacle de votre véhicule. Nous vous conseillons de le positionner au centre de votre tableau de bord ou proche de vous.

Assurez-vous d'avoir un bon angle de vue sur l'écran et que celui-ci ne gêne pas votre vision de la route. Une fois le kit mains-libres complètement installé et mis en service vous pourrez régler la luminosité de l'écran. La prise du micro s'installe à deux endroits au choix. Directement sur le côté de l'écran, ou sur le câble connecté sur le dessous de l'écran. Le micro se positionne sur la gauche du rétroviseur pour une meilleure qualité audio.

Le câble d'installation est équipé de connecteurs " ISO ", ainsi qu'une sortie " line out " pour se connecter directement sur l'amplificateur si vous en avez un.

Autoradio avec entrées " line in " :

Utilisez de préférence ce type de connexion en reliant les fils marron et blanc (ou rouge et noir) ainsi que le fil jaune du Mute à l'arrière de votre autoradio.

Autoradio avec connecteur " ISO " :

Déconnectez les faisceaux audio et alimentation de votre autoradio. Reliez les connecteurs femelles du câble du kit à l'autoradio. Reliez les faisceaux audio et alimentation du véhicule aux connecteurs mâles.

Si l'autoradio est équipé d'une entrée Mute, reliez le fil jaune du câble du kit à l'une des entrées Mute 1, 2 ou 3.

Autoradio sans connecteurs " ISO " :

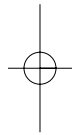
Vous devez vous procurer un câble adaptateur " ISO ".

Installation du câble du kit :

- . Le fil rouge du câble du kit doit être relié au +12V permanent, le fil orange au 12V après-contact et le fil noir à la masse.
- . Vérifiez le schéma électrique du faisceau " ISO " de l'autoradio. Sur certains véhicules, il est nécessaire d'inverser les fils rouge et orange. Cette opération s'effectue simplement en inversant les deux portes fusibles.
- . Ne connectez pas le fil orange au 12V permanent, vous risqueriez de décharger la batterie du véhicule.

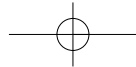
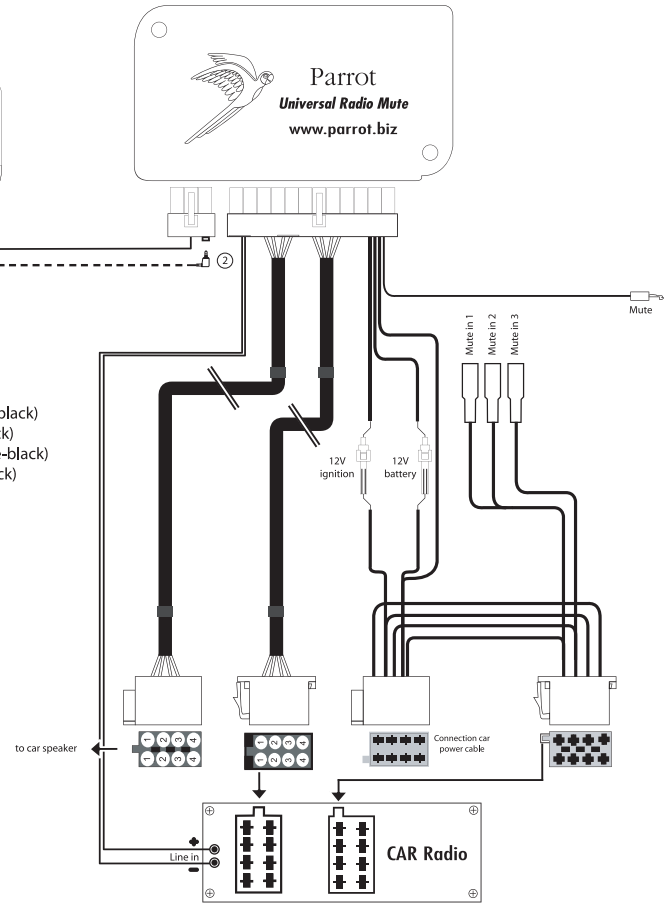
Vérification de l'installation :

- . Si votre 3200 LS-Color est bien installé, vous devez voir le message " au revoir " sur l'écran lors que vous coupez le contact de votre voiture. Sinon, c'est que le 12V clé et le 12V permanent sont inversés. Dans ce cas là, veuillez inverser les deux portes fusibles du câble d'alimentation du kit.



Loud speakers

- 1 - Rear right speaker (purple/purple-black)
- 2 - Front right speaker (grey/grey-black)
- 3 - Front left speaker (white-red/white-black)
- 4 - Rear left speaker (green/green-black)



JUMELAGE AVEC VOTRE TELEPHONE

Première utilisation

Lors de la première mise sous tension du 3200 LS-Color, vous devez jumeler votre téléphone avec le kit.

- . Activez Bluetooth sur votre téléphone.
- . Sur le kit mains-libres, naviguez dans les menus jusqu'à : Préférences, Jumeler téléphone..., et sélectionnez l'option correspondante à votre téléphone. Un PIN code de 4 chiffres est alors affiché à l'écran. Mémorisez-le.
- . Lancez une recherche de périphériques :
Pour plus d'informations sur cette opération, veuillez vous référer à la notice de votre téléphone (chapitre Bluetooth) ou rendez-vous sur notre site Web à :
www.parrot.biz/rubrique_guides_utilisateurs.
- . Une fois la recherche terminée, "Parrot 3200LS / Parrot 3400LS " s'affiche sur votre téléphone.
- . Sélectionnez le kit, votre téléphone vous demande d'entrer un code : tapez le code affiché sur l'écran du kit, et validez sur votre téléphone.
- . " Jumelage en cours " s'affiche sur l'écran du kit.
- . Une fois les données échangées, " jumelage terminé " s'affiche sur le 3200 LS-Color.
- . Le 3200 LS-Color se connecte alors avec votre téléphone.
Une fois la connexion établie, le logo Bluetooth s'affiche sur l'écran (excepté pour certains téléphones utilisant le profil Headset).

. Certains téléphones offrent des fonctionnalités supplémentaires, telles que l'affichage du nom de votre téléphone sur l'écran du kit, affichage également des niveaux de réseau et de batterie ainsi que du nom de votre opérateur.

Les menus sont accessibles et leur nom est énoncé par le kit mains-libres lorsque vous faites tourner la molette. Entrez dans les menus en appuyant sur le bouton vert (ou la molette). Pour en sortir, appuyez sur le bouton rouge.



Vous pouvez maintenant utiliser votre kit mains-libres pour communiquer

- . **Recevoir un appel** : appuyez sur le bouton vert pour décrocher l'appel.
- . **Raccrocher un appel** : appuyez sur le bouton rouge.
- . **Fonction Bis** : appuyez deux secondes sur le bouton vert du kit pour rappeler le dernier numéro composé.
- . **Réglage volume** : tournez la molette pendant une communication pour régler le volume.

FONCTIONNALITES

Sur l'écran du kit, vous retrouvez les principales informations de votre téléphone, notamment votre répertoire.

- ♦ Téléchargement automatique de votre répertoire téléphonique.
- ♦ Affichage du nom et de l'image de l'appelant.
- ♦ Appel de contacts en utilisant la reconnaissance vocale du kit.
- ♦ Coupure de l'autoradio pendant la communication.
- ♦ Journal d'appel.
- ♦ Réglage du volume en communication.
- ♦ Gestion du double appel.
- ♦ Rappel automatique du dernier correspondant.
- ♦ Changement du fond d'écran.
- ♦ Réglage de la luminosité.
- ♦ Sélection de la sonnerie.
- ♦ Réglage de la langue.
- ♦ DTMF : lors d'un appel de votre messagerie, appuyez sur la molette afin d'avoir accès aux chiffres permettant de gérer vos messages.



Note : Certaines de ces fonctionnalités dépendent de votre téléphone.

English

Français

Español

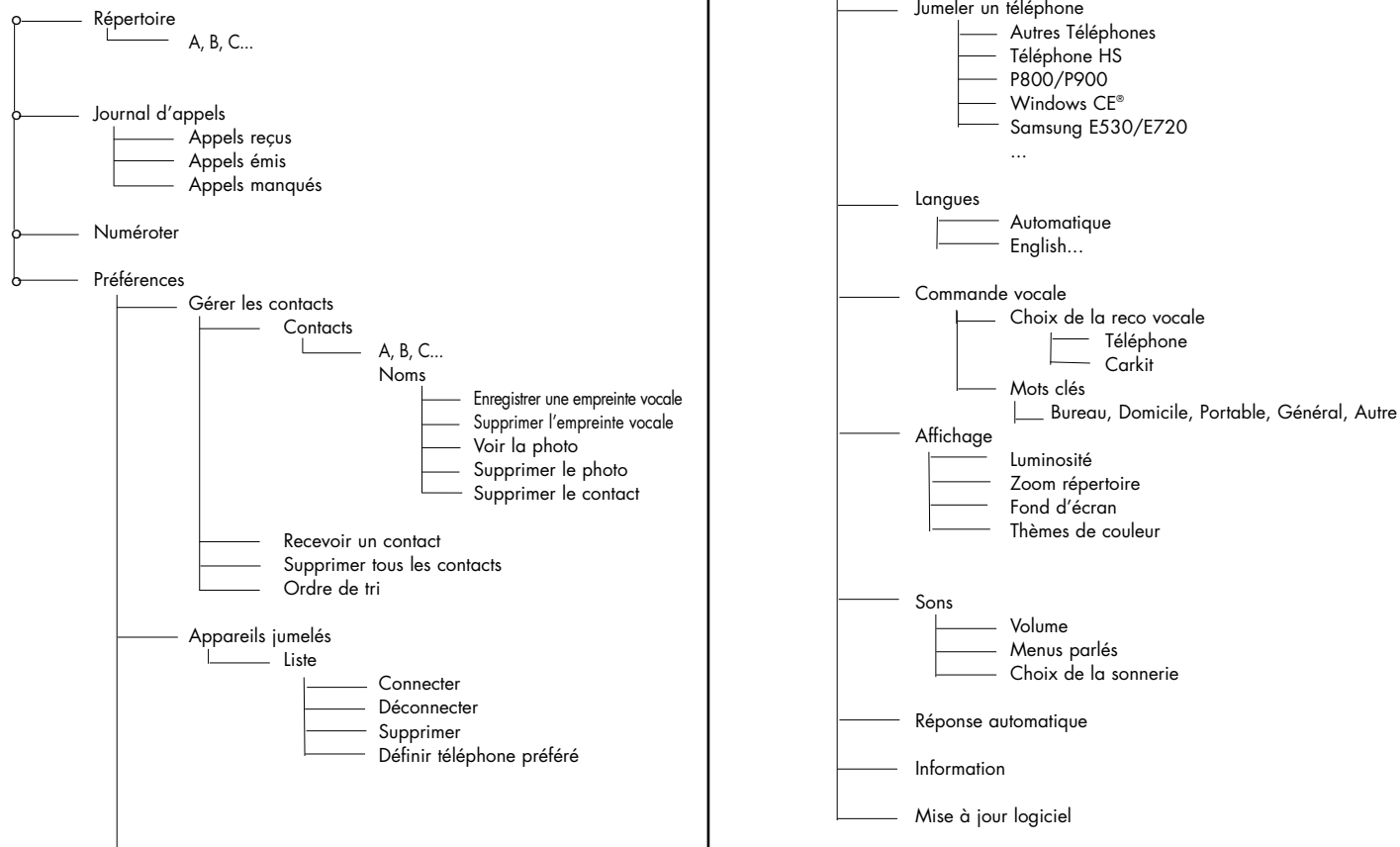
Italiano

Dutch

Deutsch

Português

MENUS



ACCES AUX MENUS

Répertoire

Après vous être jumelé avec le 3200 LS-Color, la synchronisation de votre répertoire débute automatiquement (*). A la fin de celle-ci (synchronisation terminée), le répertoire de votre téléphone est accessible depuis l'écran du kit mains-libres. Pour y accéder et appeler un correspondant, tournez la molette pour accéder aux menus, puis sélectionnez Répertoire. Faites défiler les lettres jusqu'à atteindre la première lettre du nom de cette personne et validez. Vous y verrez le nom, les différents numéros de téléphone de cette personne. Ensuite, sélectionnez le numéro de téléphone à appeler.

(*) Dépend du modèle de votre téléphone Bluetooth. Voir notre site internet www.parrot.biz pour les dernières informations sur la synchronisation.

Journal d'appels

Cette rubrique affiche la liste des appels et se divise en trois sous-menus : Appels manqués / Appels reçus / Appels émis. Il se synchronise automatiquement avec celui de votre téléphone (*), et vous pouvez y accéder pour rappeler un correspondant dont vous avez manqué l'appel.

- Sélectionner le contact depuis ces menus.
- Appuyez sur la molette ou le bouton vert pour le rappeler.

(*) Dépend du modèle de votre téléphone Bluetooth.

Numéroter

Sélectionnez ce menu pour composer un numéro directement depuis le kit.

- Tournez et appuyez sur la molette pour sélectionner un chiffre.
- La lettre C efface le dernier chiffre.
- Une fois le numéro composé, appuyez sur vert pour appeler.

PREFERENCES

Ce menu vous permet d'utiliser plus confortablement votre 3200 LS-Color.

Gérer les contacts

Ce menu vous permet de gérer les contacts du Parrot 3200 LS-Color. Une fois le contact sélectionné dans la liste (accédez au menu Gérer les Contacts), vous pourrez enregistrer ou supprimer une empreinte vocale, voir ou effacer la photo, ou supprimer ce contact du répertoire.

Pour recevoir un contact avec la photo associée (si supportée par le téléphone), sélectionnez Recevoir un Contact. Depuis votre téléphone, choisissez le contact à envoyer par Bluetooth vers le kit mains-libres. Dorénavant, quand cette personne vous appellera, sa photo et son nom apparaîtront sur l'écran du kit. Vous pourrez aussi inverser l'ordre de tri: nom-prénom vers prénom-nom.

Référez-vous au manuel d'utilisation de votre téléphone, ou rendez-vous à [www.parrot.biz/guide_CHM/3200LS Color/index.html](http://www.parrot.biz/guide_CHM/3200LS%20Color/index.html).



RECONNAISSANCE VOCALE

Choix de la reconnaissance vocale

La reconnaissance vocale du 3200 LS-Color est plus complète et robuste que celle des téléphones, et fonctionne en environnement bruyant.

- **Reco carkit** : les empreintes vocales sélectionnées sont celles enregistrées dans la mémoire du kit mains libres.
- **Reco téléphone** : les empreintes vocales sélectionnées sont celles enregistrées dans la mémoire du téléphone.

Mots clés

L'enregistrement de ces mots clés vous permet de téléphoner tout en gardant en permanence vos mains sur le volant.

Vous pouvez contrôler toute la communication avec votre voix.

Mots clés : Domicile, Bureau, Portable, Général, Autre.

Les mots clés permettent de sélectionner le numéro de téléphone désiré lorsqu'un contact en comprend plusieurs.

Tous les mots clés doivent être enregistrés pour qu'ils soient validés.

Une fois les mots clés enregistrés, vous devez faire la séquence suivante pour passer un appel en utilisant la reconnaissance vocale :

Appuyez sur le bouton vert, et après le bip, dites : "Nicolas...(bip)...Bureau... ". Et vous appelez Nicolas sur le numéro de téléphone attribué au Bureau.

Appareils jumelés

Le 3200 LS-Color vous permet de jumeler jusqu'à 5 téléphones Bluetooth, sachant qu'un seul peut être connecté lors d'une session.

Le menu Appareils jumelés vous permet de connecter, déconnecter ou supprimer un

téléphone de la mémoire du kit.

Depuis Définir téléphone préféré, vous pouvez contrôler la priorité donnée au téléphone Bluetooth lors des connections avec plusieurs téléphones présents dans la voiture.

Attention :

Lors de la suppression d'un jumelage, vous perdrez toutes les empreintes vocales qui sont attribuées aux contacts de ce téléphone.

Appairer un téléphone

Avant d'appairer votre téléphone Bluetooth, vous devez activer le mode correspondant à votre téléphone Bluetooth.

Les différents modes sont :

- Autre téléphone
- Téléphones Headset
- P800-P900
- Windows CE
- Sony-Ericsson K600, W800, K750
- Samsung E530, E720,
- Samsung D500, Sagem My-X8
- Motorola iDEN 605
- Samsung Z140, Z300, Z500

Une fois le mode sélectionné, un code de 4 chiffres (aléatoire) s'affiche. Lancez la recherche de périphériques Bluetooth depuis votre téléphone. Une fois le kit mains-libres trouvé, sélectionnez-le et entrez ce code.

Note : Pour une plus grande compatibilité avec les téléphones, de nouveaux modes d'appairage sont susceptibles d'être ajoutés dans les futures versions.

Langue

Sélectionnez la langue d'affichage des menus de votre 3200 LS-Color.

Affichage

5 rubriques vous permettent de personnaliser l'affichage des informations :

- **Luminosité** : Utilisez la molette pour obtenir le niveau souhaité et validez en cliquant sur la molette.
- **Zoom Répertoire** : Permet l'affichage sur 3 ou 4 lignes dans le menu Répertoire.
- **Fond d'écran** : Vous permet de sélectionner une image en fond d'écran.
- **Thème** : Correspond à la sélection d'un thème de couleur.

Sons

- **Volumes** : Utilisez la molette pour contrôler le niveau de volume de la communication, et le niveau de sensibilité des micros.
- **Menus parlés** : Ajustez le volume des prompts du kit mains libres au niveau voulu.
- **Choix de la sonnerie** : Pour les téléphones ne jouant pas leur sonnerie sur un appel entrant, sélectionnez la sonnerie que vous voulez entendre lors qu'un correspondant vous appelle.

Réponse automatique

Activez ce mode si vous voulez que le 3200 LS-Color décroche automatiquement les appels entrants.

Information

Ce menu permet de consulter les informations relatives à la version logicielle embarquée.

MISE A JOUR

Vous pouvez mettre à jour la version logicielle de votre 3200 LS-Color par Bluetooth. Activez ce mode avant la mise à jour.

Celle-ci s'effectue par Bluetooth depuis un ordinateur équipé de Bluetooth. La mise à jour permet de nouvelles fonctionnalités, et d'améliorer la compatibilité avec les fonctions avancées d'un plus grand nombre de téléphones. Rendez-vous sur notre site web pour plus d'informations : www.parrot.biz

PARROT 3400 LS-GPS

Le kit Parrot 3400 LS-GPS embarque un module GPS (Global Positioning System) donnant accès à la position instantanée du véhicule. Cette information est disponible par Bluetooth sur un canal accessible par la plupart des PDA et des Smartphones, si ceux-ci sont équipés d'un logiciel de navigation.

Procédure de connexion au service GPS

Si vous disposez d'une application de navigation sur votre PDA ou votre Smartphone, il vous suffit de jumeler ce périphérique avec le Parrot 3400, et d'ouvrir une connexion série Bluetooth vers le port GPS (le numéro du port série sortant à utiliser dépend de votre PDA ou Smartphone). Sur votre appareil la configuration à choisir est NMEA 0183v2 9600, si votre logiciel de navigation vous demande cette information.

Plusieurs états sont possibles :

- Etat 1 : Non-connecté GPS - Pas de fix (icône satellite grisée).
- Etat 2 : Non-connecté GPS - Le fix est fait (icône satellite colorée).
- Etat 3 : Connecté GPS - Pas de fix (icône satellite grisée, avec un symbole d'émission).
- Etat 4 : Connecté GPS - Le fix est fait (icône satellite colorée, avec un symbole d'émission).

Note : le fix indique que les données satellite reçues par le kit mains libres sont valides.

English

Français

Español

Italiano

Dutch

Deutsch

Português

Procédure de connexion au service GPS :

1. Si vous êtes déjà connecté Bluetooth avec votre téléphone :

- ♦ Déconnectez votre téléphone (appuyez 2 sec sur le bouton rouge du kit mains-libres). Le kit mains libres se trouve alors dans l'état 1 ou 2 (si le fix est réalisé).
- ♦ Depuis votre logiciel de navigation (installé sur votre PDA ou Smartphone), connectez-vous au service GPS du 3400 LS-GPS. Le kit mains libres se trouve alors dans l'état 3 ou 4.
- ♦ Une fois connecté, un symbole d'émission apparaîtra sous le satellite. Si le satellite est coloré, le fix est établi (kit mains libres dans l'état 4). Vous aurez aussi la distance parcourue qui s'affiche dans le coin supérieur droit de l'écran.
- ♦ Une fois la connexion GPS établie, le kit se reconnecte automatiquement au service téléphonie de votre téléphone.

2. Si vous n'êtes pas connecté Bluetooth avec votre téléphone :

- ♦ Depuis votre logiciel de navigation (installé sur votre PDA ou Smartphone), connectez-vous au service GPS du 3400 LS-GPS. Le kit mains libres se trouve alors dans l'état 3 ou 4.
- ♦ Une fois connecté, un symbole d'émission apparaîtra sous le satellite. Si le satellite est coloré, le fix est établi (kit mains libres dans l'état 4). Vous aurez aussi la distance parcourue qui s'affiche dans le coin supérieur droit de l'écran.
- ♦ Vous pouvez maintenant appairer/connecter votre téléphone.

Indications vocales de votre navigation

Une fois le service GPS connecté, il est possible d'écouter les instructions vocales via les hauts parleurs de votre véhicule. Votre navigation se fera alors dans de meilleures conditions (cette fonctionnalité n'est disponible qu'avec certains types de PDA ou Smartphone et peut aussi dépendre du logiciel).
Pour ce faire, il suffit d'ouvrir depuis votre PDA ou votre Smartphone le service Oreillette/Headset qui est disponible sur le kit mains-libres.

Lorsque vous êtes connecté au GPS du kit mains-libres, les appels entrants et sortants sont gérés automatiquement pour vous permettre d'utiliser le service téléphonie dans les meilleures conditions.

Menu GPS

Vous pouvez dans cette rubrique désactiver complètement le service GPS pour éviter que quelqu'un ne se connecte à ce service. Vous trouverez aussi des menus permettant de personnaliser l'affichage une fois connecté au GPS : nombre de satellites, distance (kilomètres ou miles)...

Note : Si votre voiture est équipée d'un pare-brise athermique, la réception du signal GPS peut être de mauvaise qualité. Dans ce cas, il est possible d'ajouter une antenne externe, qui se branche sur la face arrière de l'écran. Contactez votre fournisseur pour vous la procurer.



HOTLINE

Notre hot-line se tient à votre disposition.
Vous pouvez la contacter par mail ou par téléphone.
Permanence du lundi au vendredi de 9h00 à 18h00 (GMT +1).

Connectez-vous sur notre site Internet www.parrot.biz pour plus d'informations.



NOTES

English

Français

Español

Italiano

Dutch

Deutsch

Português

3200 LS-COLOR / 3400 LS-GPS

Manual de empleo



Français English

Español

Português Deutsch Dutch Italiano

INTRODUCCIÓN

La tecnología Bluetooth® permite establecer comunicaciones de voz y datos mediante un enlace de radio de corta distancia. Permite a numerosos equipos electrónicos comunicarse entre sí, especialmente a los teléfonos y kits de manos libres.

Parrot saca provecho de sus muchos años de experiencia en el tratamiento de la señal y el reconocimiento de voz para introducir un kit de manos libres con una calidad de audio superior durante la comunicación.

Gracias por adquirir este kit de manos libres Parrot. Con el Parrot 3200 LS-Color podrá pasar llamadas telefónicas desde su coche sin soltar las manos del volante.

Con su interfaz a color y su fondo de pantalla personalizable, el Parrot 3200 LS-Color es el kit de manos libres más cómodo de utilizar. Funciona como una verdadera prolongación de su teléfono móvil. Confiamos en que le proporcionará una satisfacción total.

CONTENIDO DEL EMBALAJE

- Pantalla LCD de color.
- Cable de instalación.
- Caja electrónica.
- Manual de empleo.
- Soportes de sujeción.
- Micrófono.

INSTALACIÓN

En primer lugar, elija el emplazamiento de la pantalla de color en el habitáculo del vehículo. Le aconsejamos que la coloque en el centro del salpicadero o cerca del conductor. Cerciórese de tener un buen ángulo de visión de la pantalla y que ésta no obstaculice el campo de visión de la carretera. Una vez instalado y puesto en marcha el kit de manos

libres podrá regular la luminosidad de la pantalla.

La conexión del micrófono se instala en dos lugares a su elección. Directamente en la parte lateral de la pantalla o en el cable conectado en la parte inferior de la pantalla. El micrófono se coloca a la izquierda del retrovisor para obtener una mejor calidad de audio.

El cable de instalación lleva dos conectores "ISO", así como una salida "line out" para conectarse directamente al amplificador, si es que dispone de uno.

Autorradio con entradas "line in":

Utilice preferentemente este tipo de conexión. Para ello, debe conectar los cables marrón y blanco (o rojo y negro), así como el hilo amarillo del "Mute" en la parte posterior de su autorradio.

Autorradio con conectores "ISO":

Desconecte los cables de audio y de alimentación de la autorradio. Conecte los conectores hembra del cable del kit a la autorradio. Conecte los cables de audio y alimentación del vehículo a los conectores machos.

Si la autorradio va equipado con una entrada "Mute", conecte el cable amarillo del cable del kit a una de las entradas "Mute" 1, 2 ó 3.

Autorradio sin conectores "ISO":

Debe conseguir un cable adaptador "ISO".

Instalación del cable del kit:

El hilo rojo del cable del kit debe conectarse a los +12V permanentes, el hilo naranja a los 12V después de contacto y el hilo negro a masa.

Compruebe el esquema eléctrico de los cables "ISO" de la autorradio.

En algunos vehículos, hay que invertir los hilos rojo y naranja.

Esta operación se realiza simplemente invirtiendo los dos portafusibles.

No conecte el hilo naranja a los 12V permanentes, ya que correría el riesgo de descargar la batería del vehículo.

Comprobación de la instalación:

Si se ha instalado bien el 3200 LS-COLOR, debería ver en la pantalla el mensaje "hasta luego" cuando corte el contacto del coche.

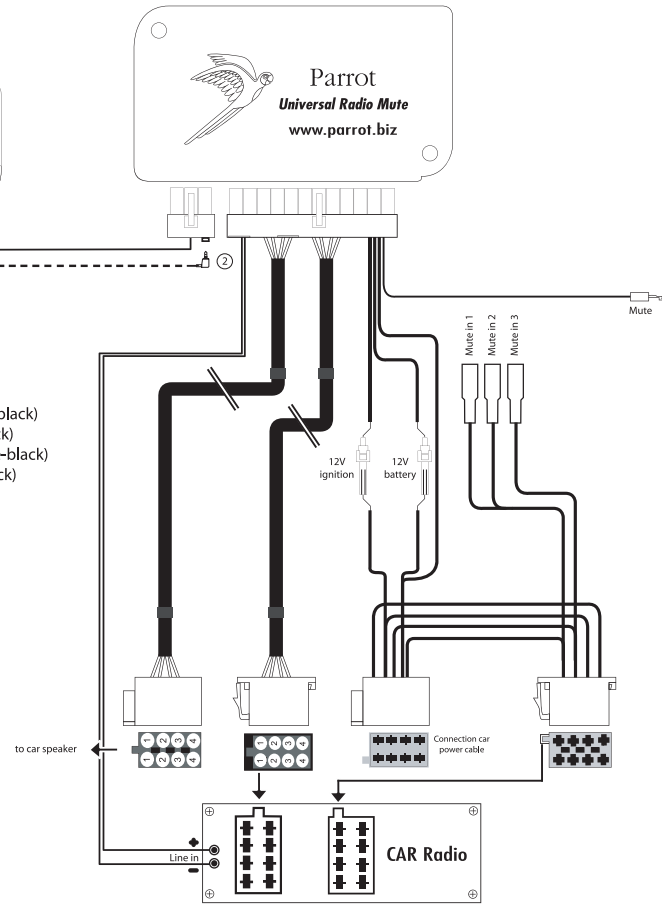
En caso contrario, ello es síntoma de que los 12V de la llave y los 12V permanentes están invertidos.

En este caso, invierta los dos portafusibles del cable de alimentación del kit.



Loud speakers

- 1 - Rear right speaker (purple/purple-black)
- 2 - Front right speaker (grey/grey-black)
- 3 - Front left speaker (white-red/white-black)
- 4 - Rear left speaker (green/green-black)



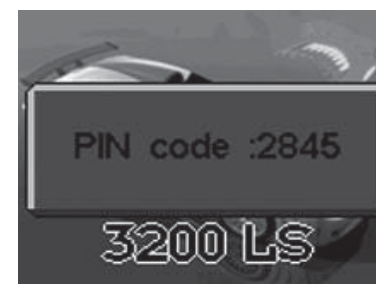
ACOPLAMIENTO DEL TELÉFONO: Primera utilización

Cuando ponga en tensión por primera vez el 3200 LS-COLOR, deberá acoplar el teléfono al kit.

- . Active el Bluetooth de su teléfono.
- . En el kit manos libres, navegue en los menús hasta: Preferencias, Acoplar teléfono..., y seleccione la opción correspondiente a su teléfono. Aparecerá en la pantalla un código PIN de 4 cifras. Memorícelo.
- . Busque los periféricos: Para más información sobre esta operación, consulte el manual de su teléfono (capítulo de Bluetooth) o consulte nuestro sitio Web:
www.parrot.biz/guide_chm/3200LS_COLOR/index.html
- . Una vez realizada la búsqueda, aparece "Parrot 3200LS / Parrot 3400LS" en su teléfono.
- . Seleccione el kit; el teléfono le pedirá que introduzca un código: teclee el código que aparece en la pantalla del kit y confirme en su teléfono.
- . En el kit, aparece "Acoplamiento en curso".
- . Una vez intercambiados los datos, en el 3200 LS-COLOR aparece "Acoplamiento terminado".
- . El 3200 LS-COLOR se conectará entonces a su teléfono. Una vez realizada la conexión, aparecerá el logo Bluetooth en la pantalla (salvo en algunos teléfonos que utilicen el perfil Headset).

. Algunos teléfonos ofrecen funciones adicionales, como poder ver el nombre del teléfono en la pantalla del kit, ver los niveles de red y de batería así como el nombre del operador.

Tras esta operación, ya se puede acceder a los menús y el kit de manos libres dice su nombre cuando se le gira la rueda. Entre en los menús pulsando el botón verde (o la rueda). Para salir, pulse el botón rojo



Ya puede utilizar ahora el kit de manos libres para comunicarse.

- . **Recepción de una llamada:** pulse el botón verde para atender la llamada.
- . **Colgar una llamada:** pulse sobre el botón rojo.
- . **Función Bis:** pulse durante dos segundos en el botón verde del kit para marcar el último número al que ha llamado.
- . **Regulación del volumen:** gire la rueda durante una comunicación, para regular el volumen.

FUNCIONES

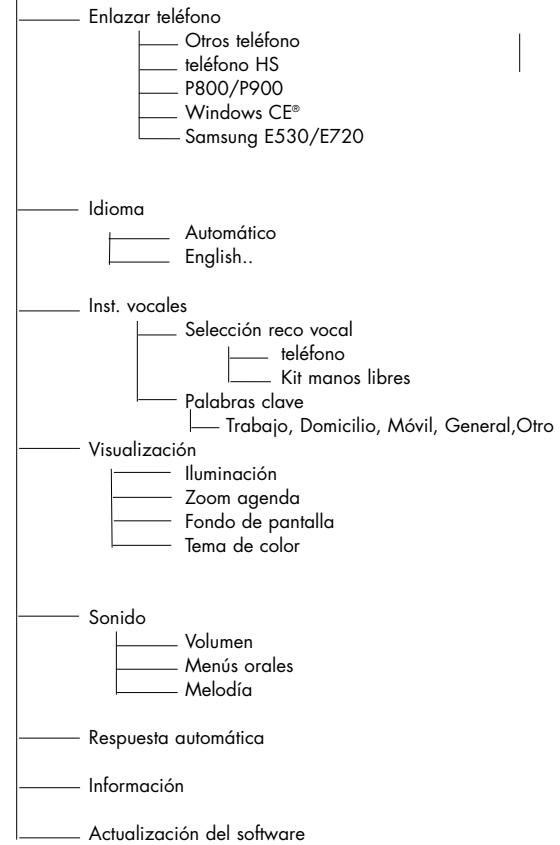
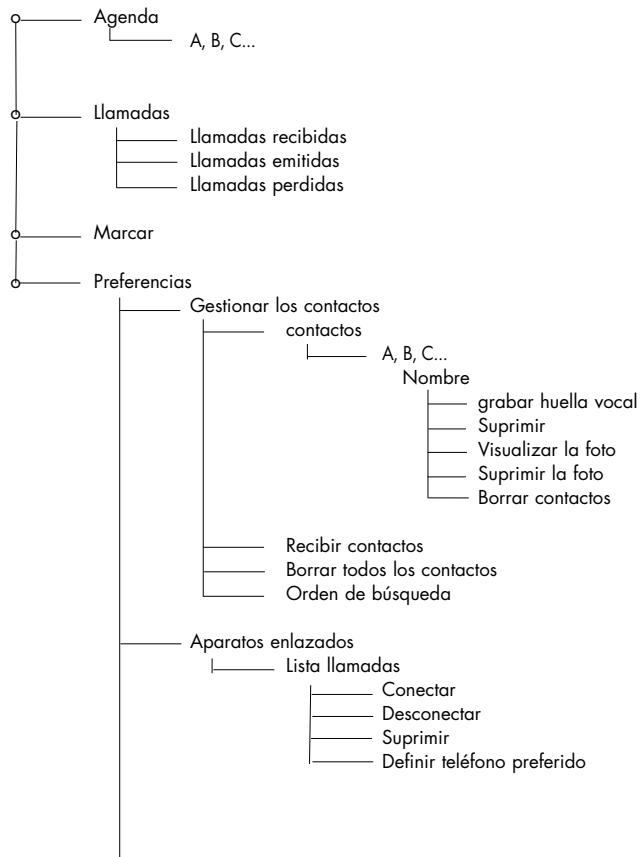
En la pantalla del kit, encontrará las principales informaciones sobre el teléfono, principalmente su agenda.

- Descarga automática de la agenda telefónica.
- Presentación del nombre y la imagen de la persona que llama.
- Llamada de contactos, mediante el reconocimiento de voz del kit.
- Corte de la autorradio durante la comunicación.
- Diario de llamadas.
- Regulación del volumen durante la comunicación.
- Gestión de llamadas.
- Marcación automática del último número.
- Cambio del fondo de la pantalla.
- Regulación de la luminosidad.
- Selección del sonido de la llamada.
- Regulación del idioma.
- DTMF: cuando reciba una llamada de su mensajería, pulse en la rueda para acceder a las cifras que permiten gestionar sus mensajes.



Nota: la mayoría de estas funciones depende del teléfono que usted tenga.

MENUS



ACCESO A LOS MENÚS

Agenda

Una vez acoplado el 3200 LS-COLOR, arranca automáticamente la sincronización de la agenda (*). Al finalizar ésta (sincronización terminada), se puede acceder a la agenda del teléfono desde la pantalla del kit de manos libres. Para acceder a ella y llamar a alguien, gire la rueda para acceder a los menús y, luego, seleccione Agenda. Haga pasar las letras hasta llegar a la primera letra del nombre de la persona en cuestión y confirme la selección. Verá el nombre y los diferentes números de teléfono de esta persona.

(*) Depende del modelo de teléfono Bluetooth. Para conocer la información más reciente acerca de la sincronización, visite nuestro sitio internet www.pparrot.biz.

Diario de llamadas

Esta función presenta la lista de llamadas y se divide en tres submenús: Llamadas perdidas / Llamadas recibidas / Llamadas emitidas.

Se sincroniza automáticamente con el del teléfono (*), y puede acceder a él para llamar a alguien con el que no ha podido contactar antes.

- Seleccione el contacto desde estos menús.
- Pulse la rueda o el botón verde para llamar.

(*) Depende del modelo de teléfono Bluetooth.

Marcar

Seleccione este menú para marcar un número directamente desde el kit.

- Gire y pulse la rueda para seleccionar un dígito.
- El icono de papelera borra el último dígito.
- Una vez marcado el número, pulse el botón verde para llamar.

PREFERENCIAS

Este menú le permite utilizar cómodamente el 3200 LS-COLOR.

Gestión de los contactos

Este menú le permite gestionar los contactos del Parrot 3200 LS-Color. Una vez seleccionado el contacto en la lista (acceder al Menú Gestionar los contactos), podrá grabar o suprimir un registro de voz, ver o suprimir la foto, o eliminar este contacto de la agenda.

Para recibir un contacto con la foto asociada (si el teléfono tiene la capacidad suficiente), seleccione Recibir un Contacto. Elija desde su teléfono el contacto que Bluetooth debe enviar al kit manos libres. A partir de ese momento, cuando esa persona le llame, aparecerán su foto y su nombre en la pantalla del kit.

Consulte el manual de empleo del teléfono o visite [www.pparrot.biz/guide_CHM/3200LS Color/index.html](http://www.pparrot.biz/guide_CHM/3200LS%20Color/index.html).



RECONOCIMIENTO DE VOZ

Elección del reconocimiento de voz

El reconocimiento de voz del 3200 LS-Color es más completo y robusto que el de los teléfonos, y funciona en entornos ruidosos.

- **Reco carkit:** las voces seleccionadas son las que están grabadas en la memoria del kit de manos libres.
- **Reco teléfono:** las voces seleccionadas son las que están grabadas en la memoria del teléfono.

Palabras clave

La grabación de palabras clave le permite llamar por teléfono sin tener que soltar las manos del volante. Podrá controlar toda la comunicación con la voz. Palabras clave: Domicilio, Oficina, Móvil, General, Otros. Las palabras clave permiten seleccionar el número de teléfono deseado cuando un contacto tiene varios teléfonos asociados. Para que sean válidas, todas las palabras clave deben grabarse previamente.

Una vez grabadas las palabras clave, deberá realizar la secuencia siguiente para realizar una llamada mediante el reconocimiento de voz: Pulse el botón verde, y tras el bip, diga: "John Smith...(bip)...Oficina... ". Y llamará al número de teléfono de la oficina de John Smith".

Aparatos acoplados

El 3200 LS-Color le permite acoplar hasta 5 teléfonos Bluetooth, teniendo en cuenta que sólo uno de ellos puede estar conectado durante una sesión.

El menú de Aparatos acoplados le permite conectar, desconectar o eliminar un teléfono de la memoria del kit.

Desde Definir teléfono preferido, podrá controlar la prioridad dada al teléfono Bluetooth durante las conexiones con varios teléfonos presentes en el coche.

Atención:

Al eliminar un acoplamiento, perderá todas las voces atribuidas a los contactos de ese teléfono.

Emparejamiento de un teléfono

Antes de emparejar su teléfono Bluetooth, debe activar el modo correspondiente al teléfono Bluetooth.

Los diferentes modos son:

- Otro teléfono
- Teléfonos Headset
- P800-P900
- Windows CE
- Sony-Ericsson K600, W800, K750
- Samsung E530, E720,
- Samsung D500, Sagem My-X8
- Motorola iDEN 605
- Samsung Z140, Z300, Z500

Una vez seleccionado el modo, aparecerá un código de 4 cifras (aleatorio). Lance la búsqueda de periféricos Bluetooth desde su teléfono. Una vez encontrado el kit manos libres, selecciónelo e introduzca este código.

Nota: De cara a una mayor compatibilidad con los teléfonos, en las futuras versiones pueden añadirse nuevos modos de emparejamiento.

Idioma

Seleccione el idioma de presentación de los menús del 3200 LS-Color.

Visualización

5 secciones le permiten personalizar la presentación de la información:

- **Luminosidad:** Utilice la rueda para obtener el nivel deseado y confirme pulsando sobre la rueda.
- **Ampliación de la agenda:** Permite ver 3 ó 4 líneas en el menú de Agenda.
- **Fondo de pantalla:** Le permite seleccionar una imagen para el fondo de pantalla.
- **Tema:** Corresponde a la selección de un tema de color.

Sonidos

- **Volúmenes:** Utilice la rueda para controlar el nivel de volumen de la comunicación y el nivel de sensibilidad de los micrófonos.
- **Menús parlantes:** Ajuste el volumen del kit de manos libres al nivel deseado.
- **Elección de los timbres:** Para los teléfonos que no suenan cuando reciben una llamada, seleccione el sonido que desea oír al recibir una llamada.

Respuesta automática

Active este modo si desea que el 3200 LS-Color descuelgue automáticamente las llamadas entrantes.

Información

Este menú permite consultar la información referente a la versión del programa instalado.

ACTUALIZACIÓN

Puede actualizar la versión del programa del 3200 LS-Color mediante Bluetooth. Active este modo antes de realizar la actualización. Bluetooth la

realiza desde un ordenador equipado con Bluetooth.

La actualización permite nuevas funciones, así como mejorar la compatibilidad con las funciones avanzadas desde un mayor número de teléfonos. Para más información, visite nuestro sitio web: www.parrot.biz.

PARROT 3400 LS-GPS

El kit Parrot 3400 LS-GPS incorpora un módulo GPS (Global Positioning System) que revela la posición instantánea del vehículo. Bluetooth puede disponer de esta información a través de un canal al que pueden acceder la mayoría de las PDA y de los smartphones en el caso de vayan equipados con programas de navegación.

Procedimiento de conexión al servicio GPS

Si su PDA o smartphone dispone de una aplicación de navegación, basta acoplar este periférico con el Parrot 3400 y abrir una conexión serie Bluetooth hacia el puerto GPS (el número de puerto de salida serie depende del tipo de PDA o smartphone).

Si el programa de navegación le pide esa información, la configuración a elegir en su aparato es NMEA 0183v2 9600.

Pueden darse varios estados :

- Estado 1: GPS desconectado - No fix (icono del satélite en gris).
- Estado 2: GPS desconectado - Fix logrado (icono del satélite coloreado).
- Estado 3: GPS conectado - No fix (icono del satélite gris, con símbolo de emisión).
- Estado 4: GPS conectado - Fix logrado (icono del satélite coloreado, con símbolo de emisión).

Nota: un fix (o posición) indica que los datos del satélite recibidos por el kit manos libres son válidos.

Procedimiento de conexión al servicio GPS:

1. Si ya está conectado a Bluetooth con su teléfono:

- ♦ Desconecte el teléfono (pulse el botón rojo del equipo manos libres durante 2 segundos). El kit manos libres se encuentra entonces en el estado 1 ó 2 (si se ha hecho la unión).
- ♦ Desde el programa de navegación (instalado en la PDA o smartphone) conéctese al servicio GPS del 3400 LS-GPS. El kit manos libres se encuentra a partir de entonces en el estado 3 ó 4.
- ♦ Una vez conectado, aparecerá un símbolo de emisión bajo el satélite. Si el satélite está coloreado, indica se ha establecido la unión (kit manos libres en el estado 4). Tendrá así la distancia recorrida, que aparece en el ángulo superior derecho de la pantalla.
- ♦ Una vez realizada la conexión GPS, el kit se vuelve a conectar automáticamente al servicio de telefonía de su teléfono.

2. Si no está conectado a Bluetooth con su teléfono:

- ♦ Desde el programa de navegación (instalado en la PDA o Smartphone) conéctese al servicio GPS del 3400 LS-GPS. El kit manos libres se encuentra a partir de entonces en el estado 3 ó 4.
- ♦ Una vez conectado, aparecerá un símbolo de emisión bajo el satélite. Si el satélite está coloreado, indica se ha establecido la unión (kit manos libres en el estado 4). Tendrá así la distancia recorrida, que aparece en el ángulo superior derecho de la pantalla.
- ♦ Ahora ya puede acoplar o conectar su teléfono.

INDICACIONES VOCALES DE SU NAVEGACIÓN

Una vez conectado el servicio GPS, se pueden escuchar las instrucciones vocales vía los altavoces del vehículo. La navegación se realizará entonces en las mejores condiciones (no se puede disponer de esta característica mas que en ciertos tipos de PDA o smartphone y también puede depender del programa en cuestión).

Para realizar esto, basta abrir desde la PDA o smartphone el servicio Auricular/Casco que está disponible en el kit manos libres.

Cuando usted se conecta al GPS del kit manos libres, se gestionan automáticamente las llamadas que entran y salen a fin de que pueda usar el servicio de telefonía en las mejores condiciones.

MENU GPS

En este menú, podrá desactivar completamente el servicio GPS para evitar que cualquiera se conecte al servicio.

Encontrará también funciones que permiten personalizar la pantalla una vez conectado al GPS: número de satélites, distancia (kilómetros o millas), etc.

Nota: si su vehículo va equipado con un parabrisas antitérmico, puede interferir la recepción de la señal del GPS. En tal caso, puede añadir una antena exterior, que se conecta a la parte trasera de la pantalla. Para hacerse con ella, acuda a su proveedor habitual.



LÍNEA DIRECTA

Nuestra línea directa está a su entera disposición. Puede ponerse en contacto con nosotros por correo electrónico o por teléfono. Estamos de lunes a viernes de 9:00 h a 18:00 h (GMT +1).

Si desea más información, también puede visitar nuestro sitio Internet www.parrot.biz.



NOTA

Français English

Español

Dutch Italiano

Deutsch

Português

3200 LS-COLOR / 3400 LS-GPS

Manuale d'istruzioni - Manuale per l'utente



Español Français English

Italiano

Dutch

Deutsch

Português

INTRODUZIONE

La tecnologia Bluetooth® consente di stabilire delle comunicazioni vocali e di dati tramite un collegamento radio a distanza ravvicinata. Tale tecnologia consente la comunicazione tra diversi dispositivi elettronici come ad esempio telefoni e kit mani libere.

Parrot vanta una lunga esperienza nella gestione del segnale e del riconoscimento vocale che le hanno consentito di introdurre sul mercato un kit mani libere con una qualità audio superiore delle comunicazioni.

Grazie di aver acquistato un kit mani libere Parrot. Con il kit Parrot 3200 LS-Color, è possibile effettuare chiamate telefoniche dall'automobile tenendo le mani sul volante.

Parrot 3200 LS-Color rappresenta un kit unico nel suo genere, grazie all'interfaccia colorata e allo sfondo personalizzabile. Funziona come una reale estensione del telefono portatile.

Confidiamo nella piena soddisfazione dei nostri utenti.

CONTENUTO DELLA CONFEZIONE

- Display LCD a colori.
- Cavo per l'installazione.
- Scatola elettronica.
- Manuale d'istruzioni.
- Supporti di fissaggio.
- Microfono.

INSTALLAZIONE

Scegliere la posizione del display a colori nell'abitacolo dell'autoveicolo. Si consiglia di posizionarlo al centro del cruscotto oppure accanto al posto di guida. Assicurarsi di disporre di un buon angolo di visione sullo schermo e che quest'ul-

timo non disturbi la visione della strada. Una volta installato e messo in funzione il kit mani libere, sarà possibile regolare la luminosità dello schermo.

La presa del microfono può essere inserita in due punti a scelta: direttamente sul lato dello schermo oppure sul cavo collegato nella parte inferiore dello schermo. Il microfono viene posizionato alla sinistra del retrovisore per una migliore qualità audio. Il cavo di installazione è dotato di prese " ISO " e di un'uscita di linea " line out " per collegarsi direttamente all'amplificatore se disponibile.

Autoradio con ingressi di linea " line in " :

Utilizzare preferibilmente questo tipo di connessione collegando i cavi marrone e bianco (o rosso e nero), nonché il cavo giallo della funzione Mute sul retro dell'autoradio.

Autoradio con prese " ISO " :

Scollegare i fasci dei cavi audio e di alimentazione dell'autoradio. Collegare i connettori femmina del cavo del kit all'autoradio.

Collegare i fasci dei cavi audio e di alimentazione del veicolo ai connettori maschio; Se l'autoradio è dotata di un ingresso Mute, collegare il filo giallo del cavo del kit a uno degli ingressi Mute 1,2 o 3.

Autoradio senza prese " ISO " :

È necessario procurarsi un cavo adattatore " ISO ".

Installazione del cavo del kit :

- . Il filo rosso del cavo di alimentazione deve essere collegato all'ingresso 12 V con flusso continuo, il filo arancione al 12 V post-contatto e il filo nero alla massa.
- . Verificare lo schema elettrico del fascio di cablaggio dell'alimentazione ISO dell'autoradio. Su alcune vetture è necessario invertire le posizioni dei fili rosso e arancione. Questa operazione viene effettuata semplicemente invertendo i due porta fusibili.
- . Non collegare il filo arancione all'ingresso 12 V con flusso continuo, in quanto ciò potrebbe provocare lo scaricamento della batteria del veicolo.

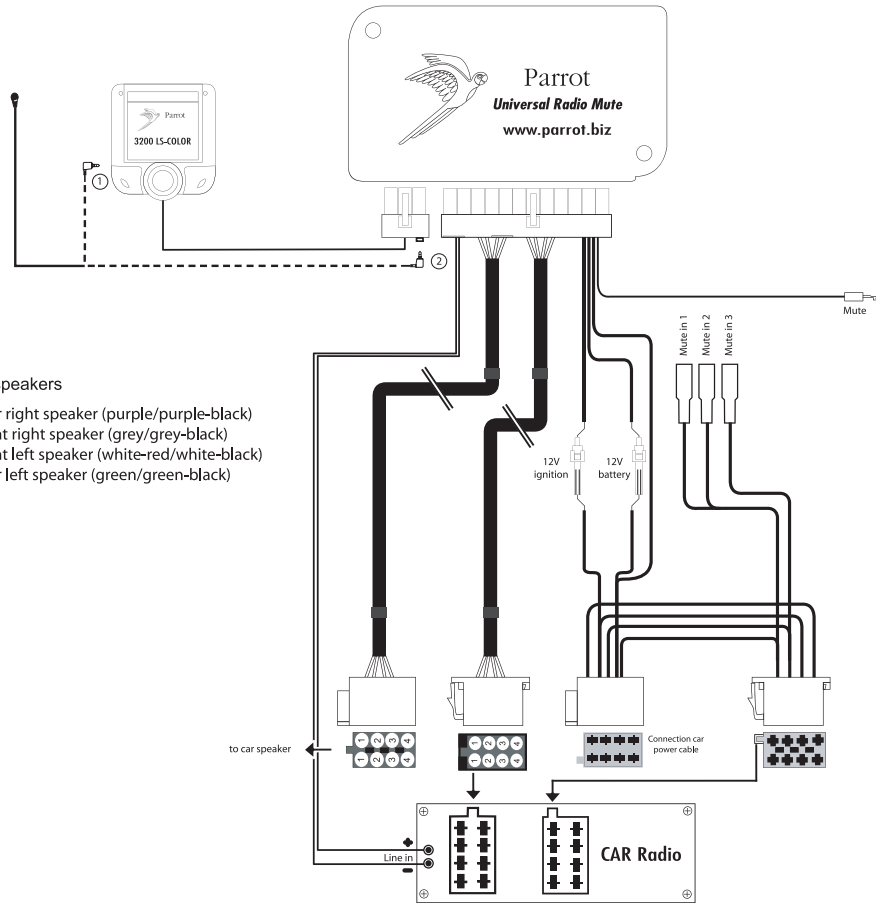
Verifica dell'installazione :

- . Se il kit 3200 LS-Color è installato correttamente, sullo schermo viene visualizzato il messaggio " arriverci " al momento dello spegnimento del contatto del veicolo.
- . In caso contrario, significa che il 12 V della chiave e il 12 V con flusso continuo sono stati invertiti. In questo caso, invertire i due porta fusibili del cavo di alimentazione del kit.



Loud speakers

- 1 - Rear right speaker (purple/purple-black)
- 2 - Front right speaker (grey/grey-black)
- 3 - Front left speaker (white-red/white-black)
- 4 - Rear left speaker (green/green-black)



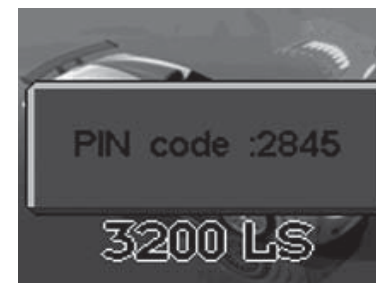
INTERFACCIA CON IL TELEFONO : Primo utilizzo

Durante la prima accensione, è necessario gemellare il telefono con il kit 3200 LS-Color.

- . Attivare la connessione Bluetooth sul proprio telefono cellulare.
- . Sul kit mani libere, scorrere i menu fino a: Preferenze, Gemellaggio telefono... e selezionare l'opzione corrispondente al telefono in uso. Viene visualizzato sullo schermo un codice PIN a 4 cifre, da memorizzare.
- . Effettuare una ricerca delle periferiche : Per maggiori informazioni su questa operazione, fare riferimento al manuale di istruzioni del telefono cellulare (capitolo Bluetooth) oppure consultare il nostro sito Web all'indirizzo : www.parrot.biz/guide_chm/3200LS_COLOR/index.html
- . Una volta terminata la ricerca, sul telefono viene visualizzata la dicitura " Parrot 3200LS / Parrot 3400LS ".
- . Selezionare il kit, quindi il telefono richiede l'immissione di un codice : digitare il codice visualizzato sullo schermo del kit, quindi convalidare sul telefono.
- . Il messaggio " Gemellaggio in corso " viene visualizzato sullo schermo del kit.
- . Una volta avvenuto lo scambio di dati, sul 3200 LS-Color viene visualizzato il messaggio " gemellaggio completato ".
- . A questo punto, il kit 3200 LS-Color si collega al telefono. Una volta stabilita la connessione, il logo Bluetooth viene visualizzato sullo schermo (ad eccezione di alcuni telefoni che utilizzano il profilo Headset).

- . Alcuni telefoni offrono delle funzionalità aggiuntive come ad esempio la visualizzazione del nome del telefono sullo schermo del kit, la visualizzazione del livello di rete e di carica del telefono nonché il nome dell'operatore telefonico in uso.

I menu sono quindi accessibili e i rispettivi nomi vengono enuncati dal kit mani libere facendo ruotare la manopola. Accedere ai menu premendo il pulsante verde (o la manopola). Per uscire, premere il pulsante rosso.



È ora possibile utilizzare il kit mani libere per comunicare.

- . **Ricezione di una chiamata** : premere il pulsante verde per rispondere alla chiamata.
- . **Per riagganciare** : premere il pulsante rosso.
- . **Funzione Ripetizione ultimo numero** : premere e tenere premuto per due secondi il pulsante verde del kit per richiamare l'ultimo numero composto.
- . **Regolazione volume** : far ruotare la manopola durante la comunicazione per regolare il volume.

FUNZIONALITÀ

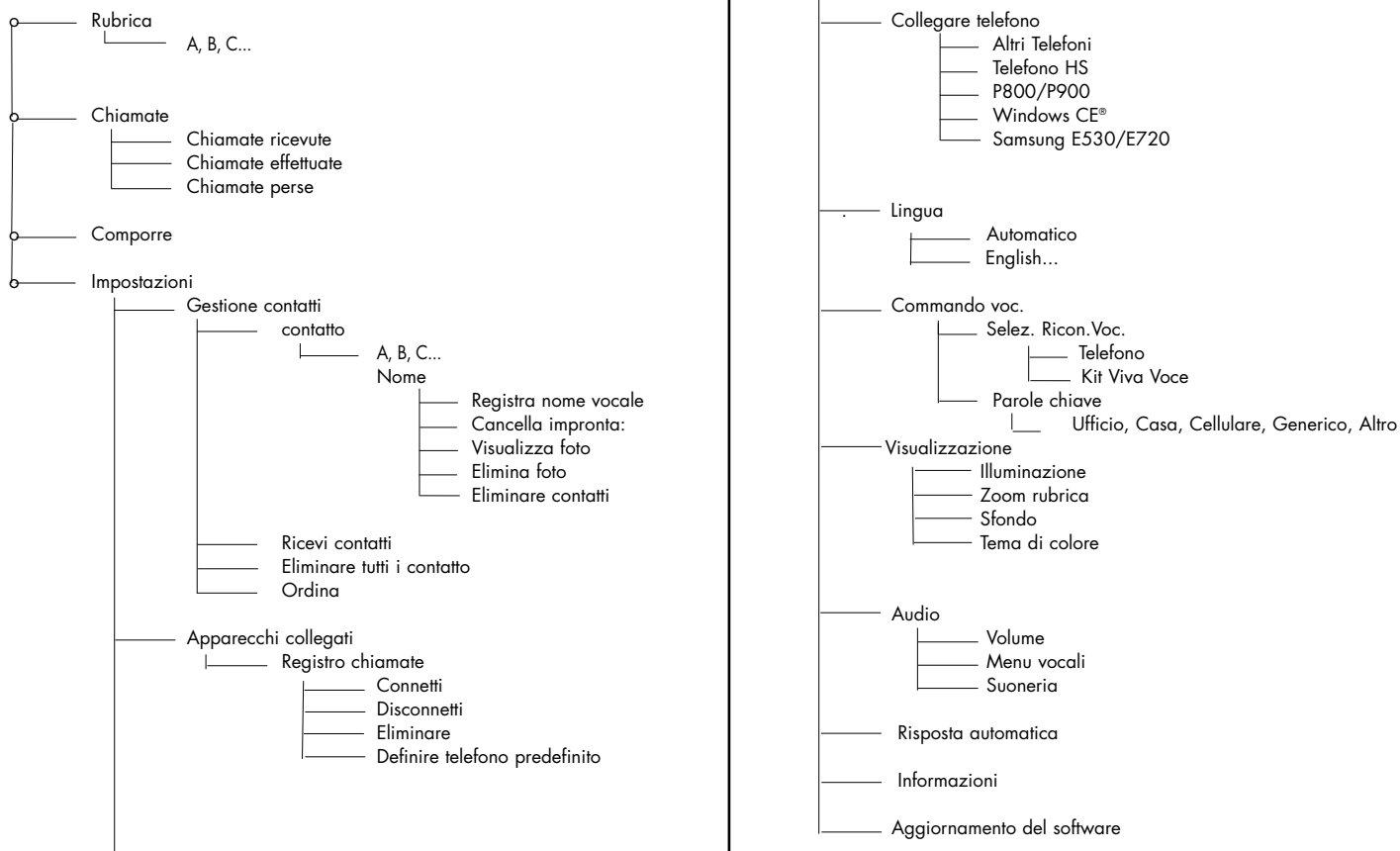
Sullo schermo del kit vengono visualizzate le informazioni principali del telefono, in particolare la rubrica.

- ♦ Caricamento automatico della rubrica telefonica.
- ♦ Visualizzazione del nome e dell'immagine del chiamante.
- ♦ Richiamo dei contatti mediante sistema di riconoscimento vocale del kit.
- ♦ Interruzione dell'autoradio durante la comunicazione.
- ♦ Registro chiamate.
- ♦ Regolazione del volume durante la comunicazione.
- ♦ Gestione dell'avviso di chiamata.
- ♦ Richiamo automatico dell'ultimo corrispondente.
- ♦ Modifica dello sfondo dello schermo.
- ♦ Regolazione della luminosità.
- ♦ Selezione della suoneria.
- ♦ Scelta della lingua.
- ♦ DTMF: in caso di chiamata del servizio di messaggeria, premere la manopola per accedere ai numeri che consentono di gestire i propri messaggi.



Nota : la maggior parte delle funzionalità elencate dipendono dal telefono in uso.

MENUS



ACCESSO AI MENU

Rubrica

Dopo aver eseguito il gemellaggio con il kit 3200 LS-Color, la sincronizzazione della rubrica viene avviata automaticamente (*). Al termine dell'operazione (sincronizzazione completata), sarà possibile accedere alla rubrica del telefono dal kit mani libere. Per accedere alla rubrica e chiamare un corrispondente, ruotare la manopola per accedere ai menu, quindi selezionare Rubrica. Far scorrere le lettere fino al raggiungimento della prima lettera del nome della persona e convalidare. Verranno visualizzati il nome e i differenti numeri telefonici della persona..

Successivamente, selezionare il numero telefonico da chiamare.

(*) in base al modello di telefono Bluetooth. Consultare il sito Internet all'indirizzo www.parrot.biz per le informazioni più recenti relative alla sincronizzazione.

Registro chiamate

Questo registro visualizza l'elenco delle chiamate ed è suddiviso in tre sottomenu : Chiamate perse / Chiamate ricevute / Chiamate effettuate.

Si sincronizza automaticamente con quello del telefono (*) ed è possibile accedervi per richiamare un corrispondente di cui si è persa la chiamata.

- Selezionare il contatto da questi menu.
- Premere la manopola o il pulsante verde per richiamare.

(*) in base al modello di telefono Bluetooth.

Composizione numeri

Selezionare questo menu per comporre un numero direttamente dal kit.

- Ruotare e premere la manopola per selezionare un numero.
- L'icona con il cestino cancella l'ultimo numero digitato.
- Una volta composto il numero, premere il pulsante verde per inoltrare la chiamata.

PREFERENZE

Questo menu consente un utilizzo più confortevole del kit 3200 LS-Color.

Gestione dei contatti

Questo menu consente di gestire i contatti del Parrot 3200 LS-Color. Una volta selezionato il contatto nell'elenco (accedere al menu per la gestione dei contatti), sarà possibile registrare o eliminare un nome vocale, visualizzare o cancellare la fotografia oppure eliminare il contatto dalla rubrica.

Per ricevere un contatto con la fotografia associata (se supportata dal telefono in uso), selezionare l'opzione Ricezione di un contatto. Dal telefono, selezionare il contatto da inviare mediante connessione Bluetooth al kit mani libere. Da questo momento, quando si riceve una chiamata da tale contatto, sullo schermo del kit vengono visualizzati il nome e la fotografia.

Fare riferimento al manuale di istruzioni del telefono oppure consultare il sito Web all'indirizzo www.parrot.biz/guide_CHM/3200LS_Color/index.html



RICONOSCIMENTO VOCALE

Scelta del riconoscimento vocale

Il sistema di riconoscimento vocale del kit 3200 LS-Color è più completo e sofisticato di quelli presenti nei telefoni e funziona anche in ambienti rumorosi.

- **Reco carkit:** i nomi vocali selezionati sono quelli registrati nella memoria del kit mani libere.

- **Reco telefono:** i nomi vocali selezionati sono quelli registrati nella memoria del telefono.

Parole chiave

La registrazione di queste parole chiave consente all'utente di telefonare mantenendo le mani sul volante. È possibile controllare tutta la comunicazione tramite la voce.

Parole chiave : Casa, Ufficio, Portatile, Generale, Altro.

Le parole chiave consentono di selezionare il numero di telefono desiderato quando un contatto dispone di diversi recapiti. Tutte le parole chiave devono essere registrate per poter essere convalidate.

Una volta registrate le parole chiave, è necessario eseguire la sequenza seguente per effettuare una chiamata utilizzando il sistema di riconoscimento vocale :
Premere il pulsante verde e, dopo il bip, pronunciare : " Anna...(bip)...Ufficio...". Verrà inoltrata la chiamata a Anna, sul numero di telefono assegnato all'ufficio.

Per ricevere una chiamata in entrata con il riconoscimento vocale, è sufficiente pronunciare la parola " Telefono ".

Dispositivi gemellati

Il kit 3200 LS-Color consente inoltre di gemellare fino a 5 telefoni Bluetooth, anche se è possibile collegarne solo uno per sessione.

Il menu Dispositivi gemellati vi consente di collegare, scollegare o eliminare un telefono dalla memoria del kit.

Dal menu Definire telefono predefinito, è possibile controllare la priorità attribuita al telefono Bluetooth se sono gemellati più telefoni presenti contemporaneamente nella vettura.

Attenzione :

Durante l'eliminazione di un gemellaggio, tutti i nomi vocali attribuiti ai contatti di quel particolare telefono verranno persi.

Abbinamento di un telefono

Prima di abbinare il telefono Bluetooth è necessario attivare la modalità corrispondente al telefono Bluetooth in uso.

Le modalità disponibili sono :

- Un altro telefono
- Telefoni Headset
- P800-P900
- Windows CE
- Sony-Ericsson K600, W800, K750
- Samsung E530, E720,
- Samsung D500, Sagem My-X8
- Motorola iDEN 605
- Samsung Z140, Z300, Z500

Una volta selezionata la modalità, viene visualizzato un codice a 4 cifre (casuale). Avviare la ricerca delle periferiche Bluetooth dal telefono. Dopo avere individuato il kit mani libere, selezionarlo e inserire il relativo codice.

Nota : per una maggiore compatibilità con i telefoni, possono essere aggiunte delle modalità di abbinamento nelle versioni successive.

Lingua

Selezionare la lingua di visualizzazione dei menu del kit 3200 LS-Color.

Visualizzazione

Sono disponibili 5 voci per la personalizzazione della visualizzazione delle informazioni :

- **Luminosità** : utilizzare la manopola per selezionare il livello desiderato e convalidare facendo clic sulla manopola.
- **Zoom rubrica** : consente la visualizzazione su 3 o 4 righe nel menu Rubrica.
- **Sfondo** : consente di selezionare un'immagine di sfondo per lo schermo.
- **Tema** : corrisponde alla selezione di un tema di colore.

Suoni

- **Volumi** : utilizzare la manopola per regolare il livello del volume della comunicazione e il livello di sensibilità dei microfoni.
- **Menu vocali** : regolare il volume dei comandi del kit mani libere al livello desiderato.
- **Selezione della suoneria** : per i telefoni che non consentono la selezione delle suonerie per le chiamate in entrata, selezionare la suoneria desiderata da abbinare ai diversi corrispondenti.

Risposta automatica

Attivare questa modalità se si desidera che il kit 3200 LS-Color risponda automaticamente alle chiamate in entrata.

Informazioni

Questo menu consente di consultare le informazioni relative alla versione del software.

AGGIORNAMENTO

È possibile aggiornare la versione del software in uso del kit 3200 LS-Color tramite Bluetooth. Attivare questa modalità prima dell'aggiornamento.

L'aggiornamento viene eseguito tramite connessione Bluetooth da un computer dotato di tecnologia Bluetooth.

L'aggiornamento consente di installare le nuove funzionalità disponibili e di migliorare la compatibilità con le funzioni avanzate di un maggior numero di telefoni. Visitare il nostro sito Web per maggiori informazioni : www.parrot.biz.

Parrot 3400 LS-GPS

Il kit Parrot 3400 LS-GPS contiene un modulo GPS (Global Positioning System - Sistema di posizionamento globale) che consente l'accesso alla posizione istantanea del veicolo. Questa informazione è disponibile con Bluetooth su un canale accessibile alla maggior parte dei PDA e degli Smartphone, se questi sono dotati di un programma di navigazione.

Procedura di collegamento al servizio GPS

Se il PDA o lo Smartphone sono dotati di un applicativo per la navigazione, basta accoppiare il dispositivo periferico a Parrot 3400 ed aprire un collegamento della serie Bluetooth verso la porta GPS (il numero della porta seriale che può essere usata dipende dal PDA o dallo Smartphone stessi).Sull'apparecchio la configurazione da impostare è NMEA 0183v2 9600, se il programma di navigazione richiede tale informazione.

Sono possibili alcuni stati :

- Stato 1 : Non collegato al GPS - Senza fix (icona satellite grigia).
- Stato 2 : Non collegato al GPS - Con fix (icona satellite colorata).
- Stato 3 : Collegato al GPS - Senza fix grigia, con un simbolo d'emissione).
- Stato 4 : Collegato al GPS - Con fix (icona satellite colorata, con un simbolo d'emissione).

Nota : fix indica che i dati satellitari ricevuti dal kit a mani libere sono validi.

Procedura di collegamento al servizio GPS :

1. Se si è già collegati a Bluetooth con il telefono:

- ♦ Staccare il telefono (premere per 2 sec il pulsante rosso del kit a mani libere). Il kit a mani libere si trova quindi allo stato 1 o 2 (se il fix è stato portato a termine).
- ♦ Dal programma di navigazione (installato sul PDA o sullo Smartphone), collegarsi al servizio GPS del 3400 LS-GPS. Il kit a mani libere si trova così allo stato 3 o 4.
- ♦ Una volta collegato, sotto l'icona satellite apparirà il simbolo d'emissione. Se il satellite è colorato, il fix è stabilito (kit mani libere allo stato 4). Sarà anche indicata la distanza percorsa che appare sull'angolo superiore destro dello schermo.
- ♦ Una volta stabilito il collegamento GPS, il kit si riconnette automaticamente al servizio telefonico del telefono.

2. Se non si è collegati con il telefono a Bluetooth:

- ♦ Dal programma di navigazione (installato sul PDA o sullo Smartphone), collegarsi al servizio GPS del 3400 LS-GPS. Il kit mani libere si trova allo stato 3 o 4.
- ♦ Una volta collegato, sotto l'icona satellite apparirà il simbolo d'emissione. Se il satellite è colorato, il fix è stabilito (kit mani libere allo stato 4). Sarà anche indicata la distanza percorsa che appare sull'angolo superiore destro dello schermo.
- ♦ Si può ora accoppiare/collegare il telefono.

Indicazioni vocali per la navigazione

Una volta collegato il servizio GPS, è possibile ascoltare le istruzioni vocali tramite gli altoparlanti veicolari. La navigazione avverrà così nelle migliori condizioni (tale funzionalità è disponibile solo in certi tipi di PDA o Smartphone e può anche dipendere dal programma).

Allo scopo è sufficiente aprire il servizio auricolare/cuffia auricolare del PDA o dello Smartphone disponibile nel kit a mani libere.

Quando si è collegati al GPS dal kit a mani libere, le chiamate entranti ed uscenti sono gestite automaticamente per permettere l'utilizzo del servizio telefonico nelle migliori condizioni.

MENÙ GPS

In questa rubrica si può disattivare completamente il GPS per evitare che qualcuno si colleghi a tale servizio.

Si troveranno anche menù che consentono di personalizzare lo schermo una volta collegati al GPS: numero di satelliti, distanza (chilometri o miglia)...

Nota : se il veicolo è dotato di un parabrezza atermico, la ricezione del segnale GPS può essere di cattiva qualità. In questo caso, è possibile aggiungere un'antenna esterna, che si connetta a tergo dello schermo. Contattate il vostro fornitore per informazioni sulla disponibilità.



HOT-LINE

È disponibile una hot-line per gli utenti. Gli utenti possono contattare la hot-line tramite e-mail o tramite chiamata telefonica. La hot-line è disponibile dal lunedì al venerdì con orario continuato dalle 9 alle 18 (ora italiana).

Per ulteriori informazioni, visitare il sito Internet www.parrot.biz.



NOTA

3200 LS-COLOR / 3400 LS-GPS

Gebruiksaanwijzing - Gebruikersgids



Italiano Español Français English

Dutch

Português Deutsch

INTRODUCTIE

Met de technologie Bluetooth® kunnen via een radioverbinding over korte afstand communicaties (gesprekken en gegevens) in stand worden gebracht. Deze technologie maakt het mogelijk dat vele elektronische apparaten onderling kunnen communiceren, met name telefoons en handsfree-sets.

Steuend op zijn vele jaren ervaring in signaalverwerking en spraakherkenning brengt Parrot nu een handsfree-kit op de markt met een superieure geluidskwaliteit van de gesprekken.

Wij danken u voor de aankoop van deze hands-free set van Parrot. Met de Parrot 3200 LS-Color kunt u vanuit uw auto telefoneren waarbij u uw handen aan het stuur kunt houden.

Met de gekleurde interface en de persoonlijk aan te passen schermachtergrond, is de Parrot 3200 LS-Color de hands-free set die het plezierigst te gebruiken is. Hij functioneert als een echte verlenging van uw mobiele telefoon.

Wij hopen dat hij u geheel tevreden zal stellen.

INHOUD VAN DE VERPAKKING

- LCD-scherm kleur.
- Installatiesnoer.
- Schakelkastje.
- Gebruiksaanwijzing.
- Bevestigingssteunen.
- Microfoon.

INSTALLATIE

Kies ten eerste de plaats voor het kleurenscherm in uw auto.

Wij raden u aan het in het midden van het dashboard, of dichtbij u, te zetten.

Zorg dat u het scherm onder een goede gezichtshoek hebt en dat dit uw zicht op de weg niet hindert. Zodra de handsfree carkit volledig is geïnstalleerd en in

werking is gesteld kunt u de helderheid van het scherm regelen.

De microfoonaansluiting kan naar keuze op twee verschillende plaatsen worden geïnstalleerd. Direct op de zijkant van het scherm of op de kabel die op de onderzijde van het scherm is aangesloten. Voor een optimale geluidskwaliteit de microfoon links van de achteruitkijkspiegel plaatsen.

Het installatiesnoer is voorzien van 'ISO'-stekkers, net als een 'line out'-uitvoer om deze direct op de versterker aan te sluiten als u er één heeft.

Autoradio met ingangen 'line in':

Gebruik bij voorkeur dit type aansluiting waarbij u de bruine en witte draden (of de rode en zwarte draden) evenals de gele draad van Mute op de achterzijde van uw autoradio aansluit.

Autoradio met ISO-stekkers:

Koppel de audio-snoerenbundel en de voeding van de autoradio los. Sluit de 'vrouwjes'-connectoren van de kabel van de kit aan op de autoradio. Verbind de luidspreker- en de voedingsbundels van de auto met de 'mannelijks'-connectoren.

Als de autoradio een 'Mute'-ingang heeft, dan sluit u de gele draad van de kabel van de kit aan op één van de ingangen 'Mute' 1, 2 of 3.

Autoradio zonder ISO-stekkers:

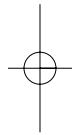
U dient een kabel met een ISO-adaptor aan te schaffen.

Installatie van de kabel van de kit:

- . Het rode snoer van de kabel van de kit moet worden aangesloten op de +12V van de accu, de oranje aan de 12V die bediend wordt met de contactsleutel en de zwarte kabel aan de massa van het voertuig.
- . Controleer het elektrische schema van de ISO-voedingsbundel van de autoradio. In bepaalde auto's is het nodig om de plaatsen van de rode en oranje draden om te draaien. Deze handeling kan eenvoudig worden verricht door de twee zekeringhouders te verwisselen.
- . Sluit de oranje kabel niet aan op de 12V van de accu, want daarmee loopt u het risico dat de batterij van het voertuig leegloopt.

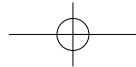
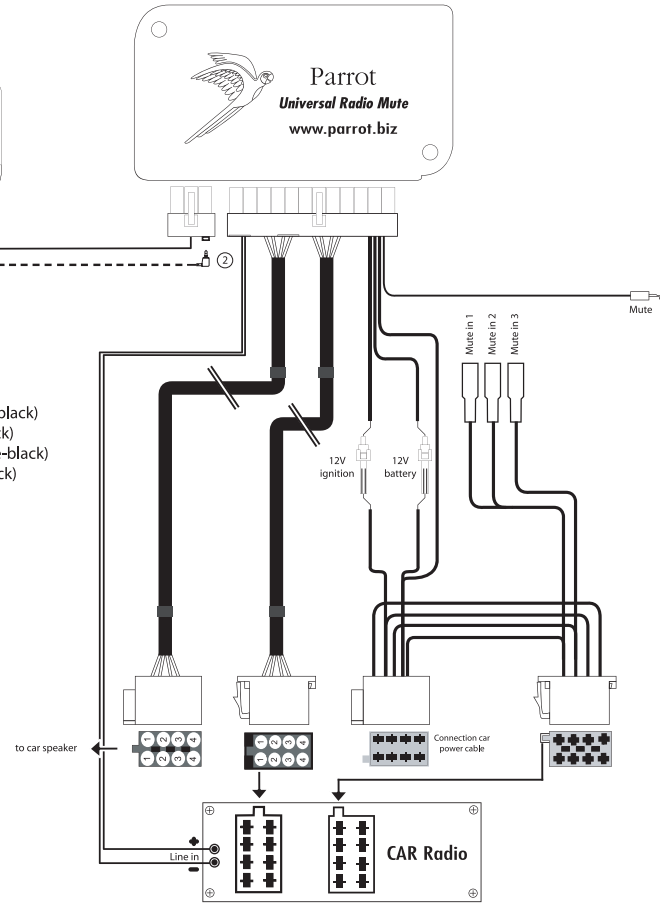
Controle van de installatie:

- . Als uw 3200LS goed is geïnstalleerd, dient u het bericht 'tot ziens' op het scherm te zien verschijnen als u het contact van uw auto uitschakelt. Anders zijn de 12V contactsleutel en de 12V van de accu omgewisseld. In dat geval dient u de twee zekeringhouders van de voedingskabel van de kit te verwisselen.



Loud speakers

- 1 - Rear right speaker (purple/purple-black)
- 2 - Front right speaker (grey/grey-black)
- 3 - Front left speaker (white-red/white-black)
- 4 - Rear left speaker (green/green-black)

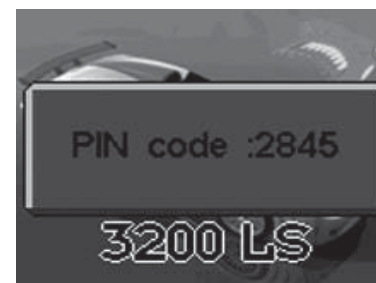


KOPPELING AAN UW TELEFOON eerste gebruik

Wanneer de 3200 LS-Color voor het eerst wordt aangeschakeld, moet u een koppeling tot stand brengen tussen uw telefoon en de kit.

- . Activeer Bluetooth op uw mobiele telefoon.
- . Navigeer op de handsfree carkit door de menu's totdat u komt bij: Voorkeuren, Telefoon koppelen en kies de optie die overeenkomt met uw telefoon. Een PIN-code van 4 cijfers verschijnt nu op het scherm. Prent deze in uw geheugen.
- . Voer een zoekopdracht uit naar randapparatuur Raadpleeg voor meer informatie over deze operatie de gebruiksaanwijzing van uw telefoon (hoofdstuk Bluetooth) of bezoek de Internetsite: www.parrot.biz/guide_chm/3200LS_COLOR/index.html
- . Zodra het is gedetecteerd, wordt 'Parrot 3200LS / Parrot 3400LS' op uw telefoon weergegeven.
- . 'Koppelen bezig' wordt nu op het scherm van de kit weergegeven.
- . Selecteer de carkit, waarna uw telefoon u vraagt een code in te voeren: voer de op het scherm van de carkit weergegeven code in en bevestig dit op uw telefoon.
- . De 3200 LS-Color verbindt zich nu met uw telefoon. Zodra de verbinding is gemaakt, verschijnt het logo van Bluetooth op het scherm (behalve bij bepaalde telefoons die het profiel Headset gebruiken).
- . Sommige telefoons hebben extra functies, zoals het weergeven van de naam van uw telefoon op het scherm van de kit, de weergave van de niveau's van het netwerk en de batterij net als de naam van uw operator.

Na deze operatie zijn de menu's toegankelijk en wordt hun naam door de handsfree carkit genoemd wanneer u de draaiknop laat draaien. U kunt de menu's openen door op de groene knop (of de draaiknop) te drukken. Om een menu te sluiten, drukt u op de rode knop.



U kunt nu uw hands-free set gebruiken om te communiceren.

- . **Een gesprek ontvangen:** druk op de groene knop om de oproep aan te nemen.
- . **Een gesprek ophangen:** klik op de rode knop.
- . **Herhaalfunctie:** druk twee secondes op de groene knop van de kit om het laatst gedraaide nummer opnieuw te bellen.
- . **Instellen van het volume:** draai aan het wielje gedurende een gesprek om het volume in te stellen.

FUNCTIES

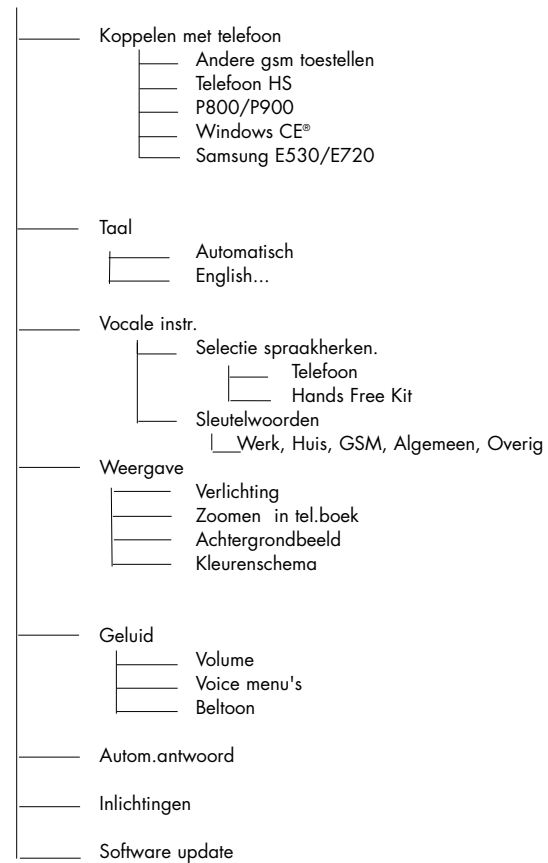
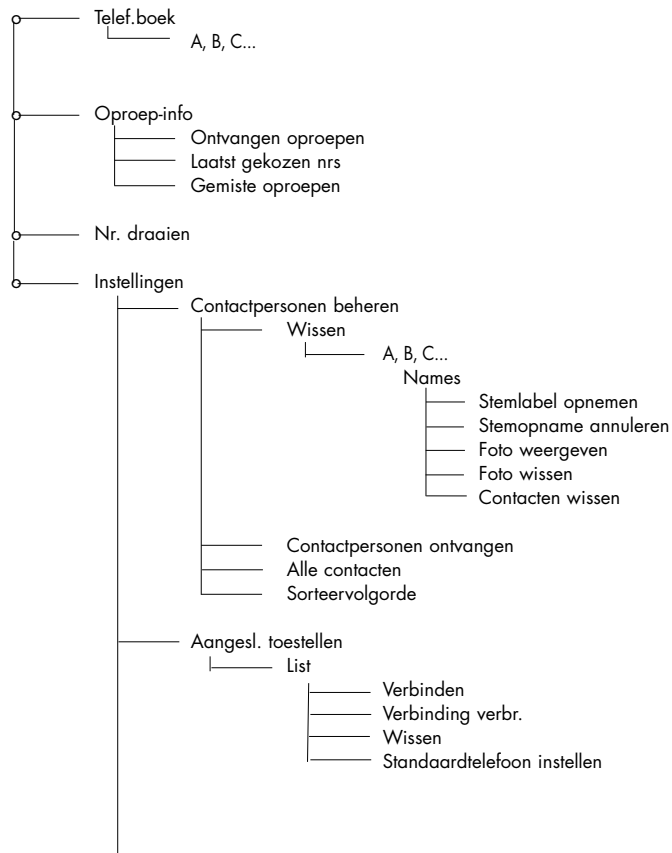
Op het scherm van de kit vindt u de belangrijkste informatie van uw telefoon, onder meer het telefoonboek.

- ♦ Automatisch downloaden van uw telefoonboek.
- ♦ Weergave van de naam en het beeld van de beller.
- ♦ Bellen van contacten met gebruik van de spraakherkenning van de kit.
- ♦ Onderbreking van de autoradio gedurende de communicatie.
- ♦ Historie oproepen.
- ♦ Instellen volume bij het bellen.
- ♦ Beheer van tweede oproep.
- ♦ Automatisch terugbellen van de laatste correspondent.
- ♦ Veranderen van de achtergrond van het scherm.
- ♦ Instellingen van de helderheid.
- ♦ Keuze van de beltoon.
- ♦ Instelling van de taal.
- ♦ DTMF: wanneer u wordt gebeld door uw voicemail, drukt u op de draaiknop om toegang te krijgen tot de cijfers waarmee u uw berichten kunt beheren.



Opmerking: sommige van deze functies hangen af van de telefoon die u heeft.

MENU



TOEGANG TOT MENU'S

Telefoonboek

Nadat u de koppeling met de 3200 LS-Color heeft gemaakt, begint automatisch de synchronisatie van uw telefoonboek (*). Nadat dit voltooid is (synchronisatie geëindigd), is het telefoonboek van uw telefoon toegankelijk vanaf het scherm van de handsfree carkit. Om er toegang toe te krijgen en uw correspondent te bellen, draait u de draaiknop om toegang tot de menu's te krijgen en kiest u vervolgens Telefoonboek. Laat de letters voorbij schuiven, totdat u de eerste letter van de naam van de gewenste persoon ziet, en bevestig. U ziet nu de naam en de verschillende telefoonnummers van deze persoon. Vervolgens kiest u het telefoonnummer dat u wilt bellen.

(*) hangen af van het model van uw telefoon Bluetooth. Zie onze site Internet www.parrot.biz voor de laatste informatie over de synchronisatie.

Historie oproepen

Deze rubriek geeft de lijst oproepen weer en is onderverdeeld in drie ondermenu's: Gemiste oproepen / Binnengekomen oproepen / Uitgegane Oproepen. Deze wordt automatisch met de telefoon gesynchroniseerd (*), en u kunt er toegang tot krijgen om een correspondent terug te bellen van wie u de oproep heeft gemist.

- Kies het contact vanaf deze menu's.
- Druk op de draaiknop, of op de groene knop om hem terug te bellen.

(*) hangen af van het model van uw telefoon Bluetooth.

Nummer vormen

Kies dit menu om een nummer direct vanaf de kit te vormen.

- Draai de draaiknop en druk hierop om een cijfer te kiezen.
- De icoon van de mand wist het laatste cijfer.
- Zodra het nummer is gevormd, drukt u op de groene knop om de correspondent te bellen.

VOORKEUREN

Dit menu maakt het mogelijk uw 3200 LS-Color comfortabeler te gebruiken.

De contacten beheren

Met dit menu kunt u de contactpersonen van de Parrot 3200 LS-Color beheren. Nadat u een contactpersoon heeft gekozen in de lijst (open het menu Contactpersonen beheren), kunt u zijn stemlabel opnemen of wissen, zijn foto zien of wissen, of deze contactpersoon uit het telefoonboek wissen.

Om de naam van een contactpersoon met bijbehorende foto te ontvangen (mits uw telefoon dit ondersteunt), kiest u Contactpersoon ontvangen. Op uw telefoon kiest u de door Bluetooth naar de handsfree carkit te sturen contactpersoon. In het vervolg, wanneer deze persoon u belt, verschijnen zijn foto en zijn naam op het scherm van de carkit.

Zie de gebruiksaanwijzing van uw telefoon of ga naar [www.parrot.biz/guide_CHM/3200LS Color/index.html](http://www.parrot.biz/guide_CHM/3200LS%20Color/index.html).



SPRAAKHERKENNING

Keuze van de spraakherkenning

De spraakherkenning van de 3200 LS-Color is vollediger en krachtiger dan die van telefoons en functioneert ook in een lawaaige omgeving.

- **Reco carkit:** de gekozen stemlabels zijn opgeslagen in het geheugen van de hands-free set.
- **Reco téléphone:** de gekozen stemlabels zijn opgeslagen in het geheugen van de telefoon.

Belangrijke woorden

Het opnemen van de belangrijke woorden maakt het mogelijk om te telefoneren waarbij u uw handen aan het stuur kunt houden.

U kunt het gehele gesprek bedienen met uw stem.

Belangrijke woorden: huis, werk, mobiel, algemeen, anders.

Zodra de belangrijke woorden opgenomen zijn, dient u als volgt te werk te gaan om een correspondent te bellen met gebruik van de spraakherkenning:

Druk op de groene knop en zeg na de pieptoon: 'John Smith...(pieptoon)...Werk...'. Zo belt u John Smith op het telefoonnummer dat aan zijn werk is toegekend

Geschakelde apparaten

De 3200 LS-Color kan met maximaal 5 Bluetooth telefoons worden gekoppeld, terwijl er maar één gedurende een sessie aangesloten kan zijn.

Het menu Gekoppelde apparaten maakt het mogelijk om een telefoon aan te sluiten, los te koppelen of te wissen uit het geheugen van de kit.

Vanaf Standaardtelefoon instellen, kunt u de prioriteit bepalen die aan de telefoon Bluetooth wordt gegeven bij de aansluitingen met meerdere telefoons die in de auto

aanwezig zijn.

Opgelet:

Bij het wissen van een koppeling, verliest u alle stemlabels die aan de contacten van die telefoon zijn toegekend.

Een telefoon koppelen

Voordat u uw telefoon Bluetooth koppelt, moet u de modus activeren die overeenkomt met uw telefoon Bluetooth.

De verschillende modi zijn:

- Andere telefoon
- Telefoons Headset
- P800-P900
- Windows CE.
- Sony-Ericsson K600, W800, K750
- Samsung E530, E720,
- Samsung D500, Sagem My-X8
- Motorola iDEN 605
- Samsung Z140, Z300, Z500

Zodra de modus gekozen is, verschijnt er een code van 4 (willekeurige) cijfers. Start het zoeken van Bluetooth randapparatuur vanaf uw telefoon. Zodra de handsfree carkit is gevonden, selecteert u deze en voert deze code in.

Opmerking: voor een grotere compatibiliteit met de telefoons, kunnen in de toekomstige versies nieuwe koppelmodi worden toegevoegd.

Taal

Kies de taal voor het weergeven van menu's van uw 3200 LS-Color.

Beeldscherm

5 rubrieken maken het mogelijk om de weergave van informatie persoonlijk te maken:

- **Helderheid:** gebruik de draaknop om het gewenste niveau te bereiken en valideer door op de knop te drukken.
- **Zoom telefoonboek:** maakt de weergave over 3 of 4 regels in het menu telefoonboek mogelijk.
- **Schermaachtergrond:** hiermee kunt u een afbeelding kiezen voor de achtergrond van het scherm.
- **Thema:** komt overeen met de keuze van het thema van de kleur.

Geluid

- **Volumes:** gebruik de draaknop om het gewenste geluidsniveau voor het geluidsvolume van het gesprek, en het niveau van de gevoeligheid van de microfoons in te stellen.
- **Gesproken menu's:** stel het geluidsvolume van de vragen van de hands-free set naar wens in.
- **Keuze van de beltoon:** voor telefoons die geen beltoon laten horen al er een oproep binnen komt, kunt u hier de beltoon kiezen die u wilt horen als een correspondent u belt.

Automatisch beantwoorden

Activeer deze mode als u wilt dat de 3200 LS-Color automatisch de binnenkomende gesprekken aanneemt.

Informatie

In dit menu kunt u de informatie over de versie van de software raadplegen.

BIJWERKEN

U kunt de versie van de software van uw 3200 LS-Color per Bluetooth bijwerken. Activeer deze mode voor de bijwerking. Deze wordt gedaan door Bluetooth vanaf een computer die met Bluetooth is uitgerust.

De bijwerking maakt nieuwe functies mogelijk, en maakt het mogelijk de compatibiliteit met de gevorderde functies van een groter aantal telefoons te verbeteren. Bezoek onze Internetsite voor meer informatie: www.parrot.biz. nekomstige gesprekken aanneemt.

PARROT 3400 LS-GPS

De set Parrot 3400 LS-GPS bevat een GPS-module (Global Positioning System) die onmiddellijk de positie van het voertuig aangeeft. Deze informatie is per Bluetooth beschikbaar via een kanaal dat te ontvangen is op de meeste PDA's en Smartphones, als deze zijn uitgerust met een navigatieprogramma.

Verbindingsprocedure met de GPS-service

Als u beschikt over een navigatietoepassing op uw PDA of Smartphone, hoeft u deze randapparatuur alleen maar aan de Parrot 3400 te koppelen en een serieverbinding Bluetooth te openen naar de poort GPS (het nummer van de seriële uitgaande poort die u dient te gebruiken hangt af van uw PDA of Smartphone). Op uw apparaat is de te gebruiken configuratie NMEA 0183v2 9600, als uw navigatieprogramma uw deze informatie vraagt.

Er zijn meerdere toestands mogelijk:

- Toestand 1: Niet op de GPS aangesloten - geen fix (icoon van de satelliet wordt lichtgrijs weergegeven).
- Toestand 2: Niet op de GPS aangesloten - de fix is uitgevoerd (icoon van de satelliet wordt gekleurd weergegeven).
- Toestand 3: Op de GPS aangesloten - geen fix (icoon van de satelliet wordt lichtgrijs weergegeven, met een symbool van uitzending).
- Toestand 4: Op de GPS aangesloten - de fix is uitgevoerd (icoon van de satelliet wordt gekleurd weergegeven, met een symbool van uitzending).

Opmerking: de fix geeft aan dat de door de hands-free set ontvangen gegevens van de satelliet geldig zijn.

1. Als u al met Bluetooth bent aangesloten met uw telefoon:

- ♦ Koppel uw telefoon los (druk 2 sec. op de rode knop van de hands-free set). De hands-free set bevindt zich nu in de toestand 1 of 2 (als de fix is gerealiseerd).
- ♦ Vanaf uw navigatieprogramma (geïnstalleerd op uw PDA of Smartphone) maakt u een verbinding met de GPS-service van 3400 LS-GPS. De hands-free set bevindt zich nu in de toestand 3 of 4.
- ♦ Zodra de verbinding is gemaakt, verschijnt een symbool van uitzending onder de satelliet. Als de satelliet gekleurd wordt weergegeven, is de fix tot stand gebracht (hands-free set in de toestand 4). Ook wordt de afgelegde afstand weergegeven in de rechterbovenhoek van het scherm.
- ♦ Zodra de GPS-verbinding is gemaakt, verbindt de set zich automatisch met de telefoonservice van uw telefoon.

2. Als u niet met Bluetooth bent aangesloten via uw telefoon:

- ♦ Vanaf uw navigatieprogramma (geïnstalleerd op uw PDA of Smartphone) maakt u een verbinding met de GPS-service van 3400 LS-GPS. De hands-free set bevindt zich nu in de toestand 3 of 4.
- ♦ Zodra de verbinding is gemaakt, verschijnt een symbool van uitzending onder de satelliet. Als de satelliet gekleurd wordt weergegeven, is de fix tot

stand gebracht (hands-free set in de toestand 4). Ook wordt de afgelegde afstand weergegeven in de rechterbovenhoek van het scherm.

- ♦ Nu kunt u uw telefoon koppelen/aansluiten.

Gesproken indicaties voor uw GPS-navigatie

Zodra u met de GPS-service bent verbonden, kunt u naar de gesproken instructies via de luidsprekers van uw voertuig luisteren. Uw navigatie vindt nu onder de beste omstandigheden plaats (deze functie is alleen met bepaalde types PDA of Smartphone beschikbaar en kan ook van het soort toepassing afhangen).

Om dit te doen, hoeft u vanaf uw PDA of uw Smartphone alleen de service Headset te openen die beschikbaar is via de hands-free set. Zodra u bent aangesloten met de GPS van de handsfree-set zullen de binnenkomende en uitgaande oproepen automatisch worden beheerd om het u mogelijk te maken ook de telefoonservice onder de beste omstandigheden te gebruiken.

MENU GPS

U kunt in deze rubriek volledig de GPS-service deactiveren om te voorkomen dat iemand zich met deze service verbindt. U vindt er ook menu's die het mogelijk maken de weergave naar uw persoonlijke voorkeuren te veranderen zodra u met de GPS bent verbonden: aantal satellieten, afstand (kilometers of mijlen)...

Opmerking: Als uw auto is uitgerust met een athermische voorruit kan de ontvangst van het GPS-signaal van slechte kwaliteit zijn. In dat geval kunt u een externe antenne toevoegen die wordt aangesloten op de achterkant van het scherm. Neem contact op met uw leverancier als u een externe antenne wilt plaatsen.



HULPLIJN

Onze help-lijn staat voor u klaar. U kunt met ons per e-mail of per telefoon contact opnemen.
We zijn geopend van maandag t/m vrijdag van 9.00 tot 18.00 uur (GMT +1).

Bezoek onze Internetsite www.parrot.biz voor meer informatie.



AANTEKENINGEN

Italiano Español Français English

Dutch

Português Deutsch

3200 LS-COLOR / 3400 LS-GPS

Bedienungsanleitung - Benutzerhandbuch



Português
Deutsch
Dutch Italiano Español Français English

EINFÜHRUNG

Die Bluetooth®-Technologie ermöglicht eine Übertragung von Sprache und Daten über kurze Entfernungen per Funkverbindung. Unter Rückgriff auf Bluetooth können unterschiedliche elektronische Geräte miteinander kommunizieren, insbesondere Telefone und Freisprecheinrichtungen.

Aufbauend auf seine langjährige Erfahrung im Bereich Signalverarbeitung und Spracherkennung präsentiert Parrot eine Freisprecheinrichtung, die sich beim Telefonieren durch eine herausragende Audioqualität auszeichnet.

Sie haben sich für eine Freisprecheinrichtung von Parrot entschieden: Herzlichen Dank! Mit dem Parrot 3200 LS-Color können Sie Ihre Anrufe erledigen, während Sie mit Ihrem Auto unterwegs sind? Ihre Hände bleiben dabei am Steuer.

Die farbige Oberfläche und der anpassbare Bildschirmhintergrund machen den Parrot 3200 LS-Color zur denkbar bedienerfreundlichsten Freisprecheinrichtung. Er fungiert richtiggehend als Erweiterung Ihres Mobiltelefons. Wir hoffen, dass Sie mit diesem Produkt vollauf zufrieden sind.

VERPACKUNGSMATERIAL

- LCD-Farbdisplay
- Anschlusskabel
- Kontrollbox
- Bedienungsanleitung
- Befestigungsvorrichtungen
- Mikrofon

INSTALLATION

Wählen Sie zunächst eine geeignete Position für das Farbdisplay im Innenraum Ihres Fahrzeugs. Empfohlen wird die Mitte des Armaturenbretts oder eine Position in Ihrer Nähe.

Stellen Sie sicher, dass Sie über einen guten Blickwinkel auf das Display verfügen, und dass die Position des Displays Ihre Sicht auf den Straßenverkehr nicht beeinträchtigt. Nach der Installation und Inbetriebnahme der Freisprecheinrichtung können Sie die Helligkeit bedarfsgerecht einstellen.

Der Mikrofonstecker kann wahlweise an zwei verschiedenen Stellen eingesteckt wer-

den: direkt an der Seite des Displays oder in das Kabel an der Unterseite des Displays. Um eine optimale Audioqualität zu gewährleisten, sollte das Mikrofon auf der linken Seite des Rückspiegels befestigt werden.

Das Anschlusskabel ist mit "ISO"-Steckverbindern sowie mit einem Ausgang "line out" ausgestattet, der den direkten Anschluss an einen ggf. vorhandenen Verstärker ermöglicht.

Autoradio mit Eingängen "line in":

Verwenden Sie vorzugsweise diesen Anschlusstyp. Verbinden Sie den braunen und den weißen Draht (oder den roten und den schwarzen Draht) sowie den gelben Draht der Stummschaltung ("Mute") an der Rückseite des Autoradios.

Autoradio mit "ISO"-Steckverbinder:

Trennen Sie die Audio- und Versorgungsleiterbündel von Ihrem Autoradio. Verbinden Sie die Steckbuchsen des Kabels der Freisprecheinrichtung mit dem Autoradio. Schließen Sie die Audio- und Versorgungsleiterbündel des Kraftfahrzeugs an die Steckverbinder an. Sollte das Autoradio über einen "Mute"-Eingang verfügen, dann verbinden Sie den gelben Draht des Kabels der Freisprecheinrichtung mit einem der "Mute"-Eingänge 1, 2 oder 3.

Autoradio ohne "ISO"-Steckverbinder:

Besorgen Sie sich ein "ISO"-Adapterkabel.

Anschluss des Kabels der Freisprecheinrichtung:

- . Der rote Draht des Kabels der Freisprecheinrichtung muss mit der permanenten und der orangefarbene Draht mit der kontaktgeschalteten 12V-Spannungsversorgung verbunden werden. Der schwarze Draht wird an die Masse angeschlossen.
- . Überprüfen Sie den Anschluss anhand des Schaltbilds für das "ISO" - Drahtbündel des Autoradios. In bestimmten Kraftfahrzeugen ist eine Invertierung des roten und des orangefarbenen Drahts erforderlich. Dazu sind lediglich die zwei Sicherungsträger aus zu wechseln.
- . Verbinden Sie den orangefarbenen Draht keinesfalls mit der permanenten 12V-Versorgung, da dies eine Entleerung der Fahrzeugbatterie zur Folge haben kann.

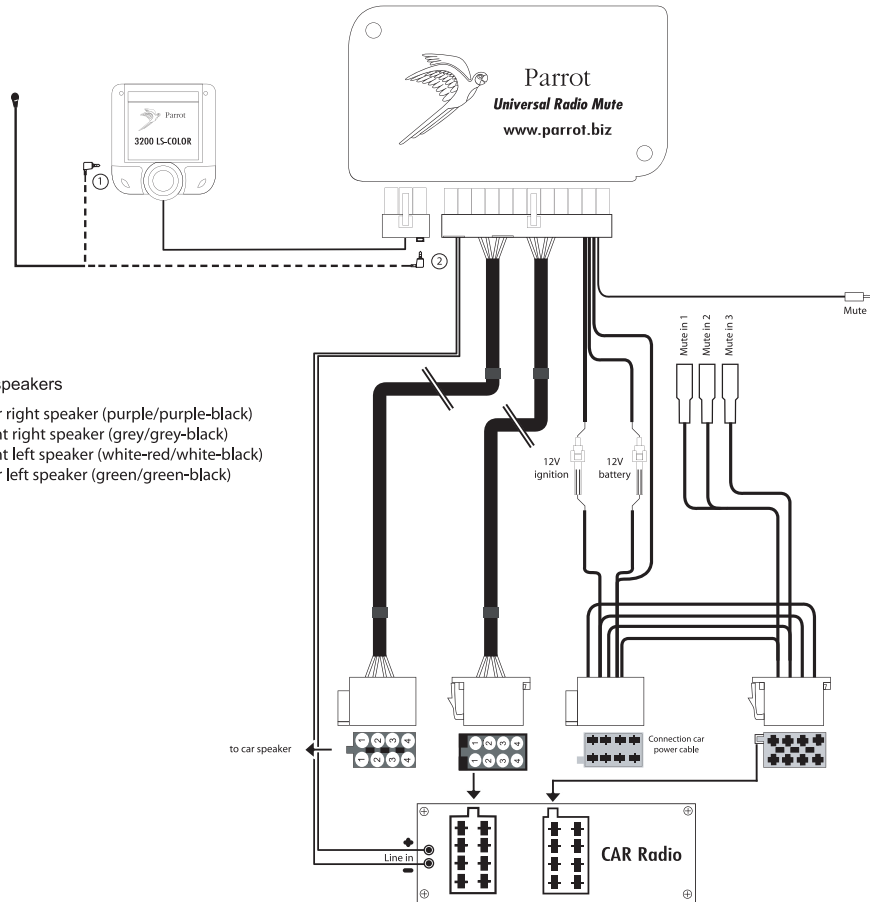
Prüfung der Installation:

- . Wenn die Installation des 3200 LS-Color ordnungsgemäß durchgeführt wurde, erscheint beim Ausschalten der Zündung Ihres Fahrzeugs die Meldung "Auf Wiedersehen" auf dem Display. Ist das nicht der Fall, dann wurden permanente und kontaktgeschaltete 12V-Spannungsversorgung verwechselt. In diesem Fall sind die zwei Sicherungsträger des Versorgungskabels der Freisprecheinrichtung zu invertieren.



Loud speakers

- 1 - Rear right speaker (purple/purple-black)
- 2 - Front right speaker (grey/grey-black)
- 3 - Front left speaker (white-red/white-black)
- 4 - Rear left speaker (green/green-black)



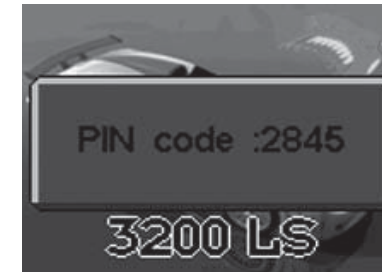
KOPPLUNG MIT DEM TELEFON: Erste Verwendung

Beim ersten Einschalten des 3200 LS-Color müssen Sie Ihr Telefon mit der Freisprecheinrichtung koppeln.

- . Aktivieren Sie die Bluetooth-Funktion auf Ihrem Telefon.
- . Navigieren Sie in den Menüs Ihrer Freisprecheinrichtung bis zu "Einstellungen", "Telefon koppeln"..., und wählen Sie die Option, die Ihrem Telefon entspricht. Es erscheint ein 4 Ziffern umfassender PIN-Code auf dem Display, den Sie sich merken sollten.
- . Starten Sie eine Suche nach Peripheriegeräten: Detaillierte Informationen zu diesem Vorgang finden Sie in der Bedienungsanleitung Ihres Telefons (Kapitel über Bluetooth). Oder besuchen Sie unsere Website: www.parrot.fr/guide_CHM/CK3200LS/index.html.
- . Nach Abschluss des Suchvorgangs wird "Parrot 3200LS / Parrot 3400LS" auf dem Telefon angezeigt.
- . Wählen Sie die Freisprecheinrichtung aus. Sie werden dann von Ihrem Telefon zur Eingabe eines Codes aufgefordert. Geben Sie den auf dem Display Ihrer Freisprecheinrichtung angezeigten Code ein, und bestätigen Sie die Eingabe auf Ihrem Telefon.
- . Auf dem Display der Freisprecheinrichtung erscheint die Angabe "Kopplung läuft".
- . Nach dem Austausch der erforderlichen Daten wird "Kopplung erfolgreich" auf dem Display des 3200 LS-Color angezeigt.
- . Der 3200 LS-Color stellt dann eine Verbindung zu Ihrem Telefon her. Nach dem Aufbau der Verbindung erscheint das Bluetooth-Logo auf dem Display (außer bei manchen Telefonen, die das Headset-Profil verwenden).

- . Einige Telefone stellen zusätzliche Funktionen bereit, z. B. die Anzeige des Telefonnamens, der Netzstärke, des Akkuladestands und des Netzbetreibers auf dem Display der Freisprecheinrichtung.

Die Menüs stehen zur Verfügung und die entsprechenden Namen werden von der Freisprecheinrichtung laut ausgegeben, wenn Sie das Reglerdrehen. Rufen Sie die verschiedenen Menüs durch Drücken der grünen Taste (oder Drücken des Reglerdrehens) auf. Drücken Sie die rote Taste, um die Menüs zu verlassen.



Sie können Ihre Freisprecheinrichtung jetzt für Ihre Telefongespräche verwenden.

- . **Entgegennehmen eines Anrufs:** Drücken Sie die grüne Taste, um den Anruf anzunehmen.
- . **Beenden eines Anrufs:** Drücken Sie die rote Taste.
- . **Rufwiederholung:** Drücken Sie die grüne Taste auf der Freisprecheinrichtung und halten Sie sie zwei Sekunden lang gedrückt, um die zuletzt gewählte Nummer erneut zu wählen.
- . **Einstellen der Lautstärke:** Drehen Sie das Reglerdrehen während eines Gesprächs, um die Lautstärke wunschgemäß einzustellen.

FUNCTIES

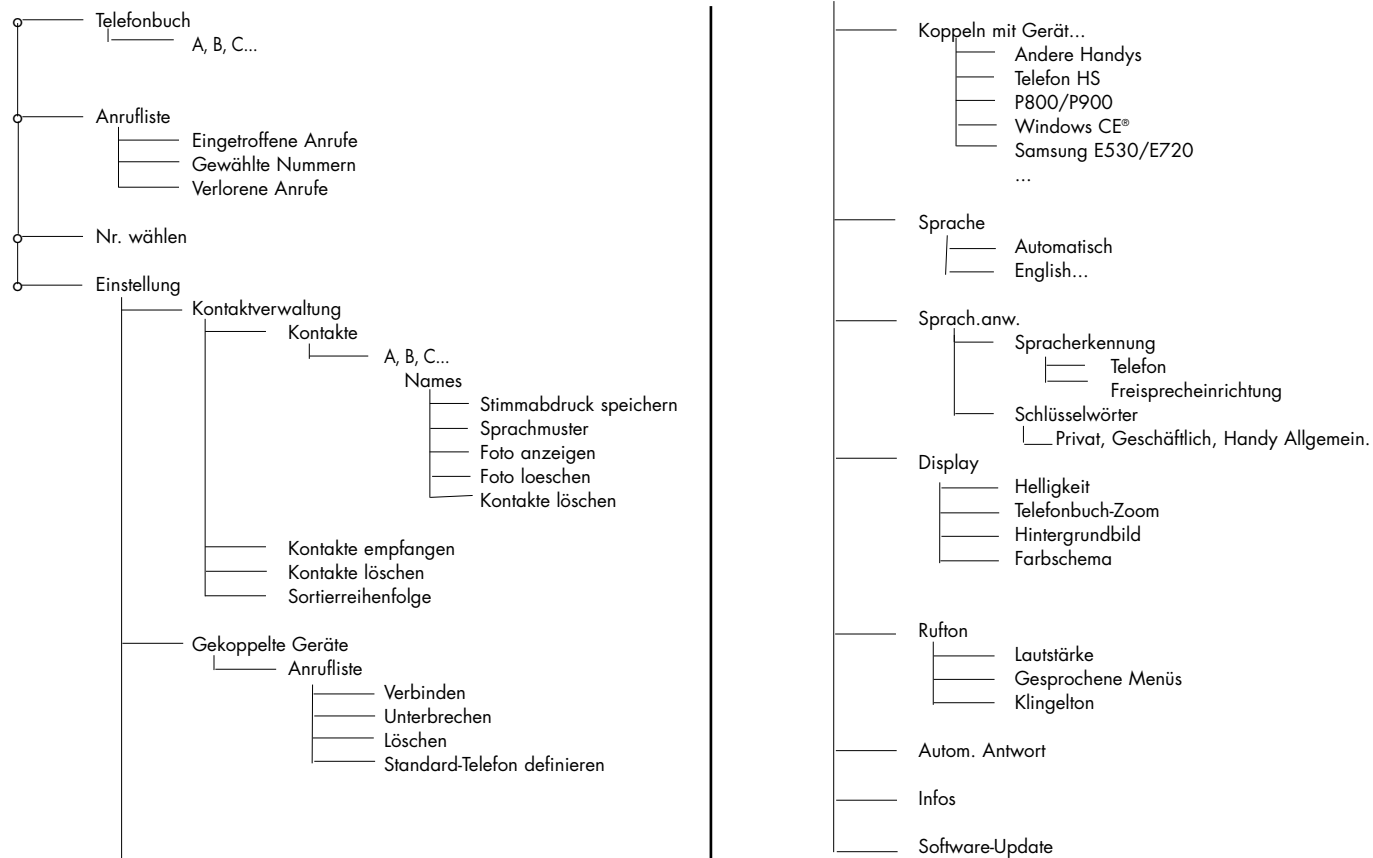
Auf dem Display der Freisprecheinrichtung finden Sie alle grundlegenden Informationen in Bezug auf Ihr Telefon, insbesondere Ihr Telefonbuch.

- ♦ Automatisches Laden Ihres Telefonbuchs
- ♦ Anzeige von Namen und Bild des Anrufers
- ♦ Rufnummernwahl für gespeicherte Kontakte über die Spracherkennungsfunktion der Freisprecheinrichtung
- ♦ Stummschaltung des Autoradios für die Dauer des Telefongesprächs
- ♦ Anrufliste
- ♦ Einstellung der Lautstärke bei aktiver Kommunikation
- ♦ Verwaltung der Anklopffunktion
- ♦ Automatischer Rückruf des letzten Gesprächsteilnehmers
- ♦ Änderung des Bildschirmhintergrunds
- ♦ Einstellung von Helligkeit
- ♦ Auswahl des Klingeltons
- ♦ Einstellung der Sprache
- ♦ DTMF: Wenn Sie einen Anruf von Ihrem Mitteilungssystem erhalten, drücken Sie das Reglerad, um auf die Ziffern zuzugreifen, über die Sie Ihre Mitteilungen verwalten können.



Hinweis: Die Verfügbarkeit einiger Funktionen ist von Ihrem Telefon abhängig.

MENU



ZUGRIFF AUF DIE MENÜS

Telefonbuch

Im Anschluss an die Kopplung Ihres Telefons mit dem 3200 LS-Color wird automatisch die Synchronisation Ihres Telefonbuchs gestartet (*). Nach dem Synchronisationsvorgang ("Synchronisation beendet") steht das Telefonbuch Ihres Telefons auch auf dem Display der Freisprecheinrichtung zur Verfügung. Wenn Sie auf das Telefonbuch zugreifen und einen Teilnehmer anrufen möchten, drehen Sie das Reglerad, um auf die Menüs zuzugreifen, und wählen dann das Menü "Telefonbuch". Durchlaufen Sie die Buchstaben des Alphabets bis zum ersten Buchstaben des Namens des gewünschten Teilnehmers, und bestätigen Sie Ihre Auswahl. Für den ausgewählten Teilnehmer werden Name und Telefonnummern angezeigt.

Wählen Sie die Nummer aus, die angerufen werden soll.

(*) Je nach dem Modell Ihres Bluetooth-Telefons. Auf unserer Website www.parrot.biz finden Sie aktuelle Informationen zur Synchronisation.

Anrufliste

Über dieses Menü werden sämtliche Anrufe angezeigt, untergliedert in drei Untermenüs:

Anrufe in Abwesenheit / Empfangene Anrufe / Getätigte Anrufe.

Die Liste wird automatisch mit derjenigen Ihres Telefons synchronisiert (*) und ermöglicht Ihnen den Rückruf eines Teilnehmers, dessen Anruf Sie versäumt haben.

- Wählen Sie den gewünschten Kontakt in den Untermenüs aus.
- Drücken Sie das Reglerad oder die grüne Taste, um den Kontakt zurückzurufen.

(*) Je nach dem Modell Ihres Bluetooth-Telefons.

Nummer wählen

Wählen Sie dieses Menü, um direkt über die Freisprecheinrichtung eine Rufnummer zu wählen.

- Drehen und drücken Sie dann das Reglerad, um eine Ziffer auszuwählen.
- Über das Papierkorbsymbol kann die letzte Ziffer jeweils wieder gelöscht werden.
- Drücken Sie nach der Eingabe der Nummer auf die grüne Taste, um die Nummer zu wählen.

EINSTELLUNGEN

Dieses Menü ermöglicht Ihnen eine Verbesserung Ihres Komforts bei der Verwendung des 3200 LS-Color.

Kontakte verwalten

Dieses Menü ermöglicht Ihnen die Verwaltung der Kontakte auf dem Parrot 3200 LS-Color. Nach Auswahl des Kontakts in der Liste (Zugriff über das Menü "Kontakte verwalten") können Sie einen Stimmabdruck speichern oder löschen, das verknüpfte Foto anzeigen bzw. löschen oder den gesamten Eintrag aus dem Telefonbuch entfernen.

Wenn Sie einen neuen Kontakt mit einem zugeordneten Foto empfangen möchten (sofern diese Funktion von Ihrem Telefon unterstützt wurde), wählen Sie "Kontakte empfangen". Wählen Sie dann auf Ihrem Telefon den Kontakt aus, den Sie per Bluetooth an die Freisprecheinrichtung senden möchten. Werden Sie anschließend von diesem Kontakt angerufen, erscheinen sowohl das Foto als auch der Name der Person auf dem Display.

Detaillierte Informationen hierzu finden Sie in der Bedienungsanleitung Ihres Telefons oder besuchen Sie die Webseite www.parrot.biz/guide_CHM/3200LS_Color/index.html.

English

Français

Español

Italiano

Dutch

Deutsch

Português

SPRACHERKENNUNG

Spracherkennung wählen

Die vom 3200 LS-Color bereitgestellte Spracherkennung ist im Vergleich zu derjenigen der Telefone um einiges umfangreicher und robuster und lässt sich auch in geräuschintensiven Umgebungen verwenden.

- **Freisprecheinrichtung:** Die Auswahl der Stimmabdrücke erfolgt im Speicher der Freisprecheinrichtung.
- **Telefon:** Die Auswahl der Stimmabdrücke erfolgt im Speicher des Telefons.

Schlüsselwörter

Durch die Speicherung von Schlüsselwörtern sind Sie in der Lage, Telefongespräche zu führen, ohne dazu die Hände vom Lenkrad nehmen zu müssen. Die gesamte Kommunikation wird allein über Ihre Stimme gesteuert.

Schlüsselwörter: Privat, Büro, Handy, Allgemein, Andere.

Über die Schlüsselwörter können Sie die jeweils gewünschte Rufnummer auswählen, wenn ein Kontakt über mehrere Nummern verfügt. Alle Schlüsselwörter müssen gespeichert werden, um als bestätigt zu gelten. Anhand von Zauberworten kann dann ein Anruf angenommen, eine Nummer gewählt oder ein Gespräch beendet werden. Nach der Speicherung der Schlüsselwörter müssen Sie die nachstehenden Schritte durchlaufen, um mithilfe der Spracherkennung einen Anruf zu tätigen:

Drücken Sie die grüne Taste, warten Sie den Piepton ab, und sprechen Sie Folgendes: "John Smith...(Piepton)...Büro..." In diesem Fall rufen Sie John Smith über seine Nummer im Büro an

Wenn Sie das Gespräch beenden möchten, sagen Sie einfach "Auflegen". Um einen eingehenden Anruf per Spracherkennung entgegenzunehmen, sagen Sie "Telefon"

Gekoppelte Geräte

Der 3200 LS-Color ermöglicht Ihnen die Kopplung von bis zu 5 Bluetooth-Telefonen, wobei in einer Sitzung jeweils nur zu einem Telefon eine

Verbindung hergestellt werden kann.

Über das Menü Standard-Telefon definieren können Sie eine Verbindung zu einem Telefon herstellen oder trennen oder ein Telefon im Speicher der Freisprecheinrichtung löschen.

Über "Haupt-Benutzer" sind Sie in der Lage, die Priorität zu steuern, die einem Bluetooth-Telefon beim Verbindungsaufbau eingeräumt wird, wenn sich mehrere Telefone im Wagen befinden.

Wichtig:

Beim Löschen einer Kopplung gehen alle Stimmabdrücke verloren, die den Kontakten des betreffenden Telefons zugeordnet wurden.

Telefon koppeln

Vor der Kopplung Ihres Bluetooth-Telefons müssen Sie den dem Telefon entsprechenden Modus aktivieren.

Verfügbare Modi:

- Andere Telefone
- Headset-Telefone
- P800-P900
- Windows CE
- Sony-Ericsson K600, W800, K750
- Samsung E530, E720,
- Samsung D500, Sagem My-X8
- Motorola iDEN 605
- Samsung Z140, Z300, Z500

Nach dem Auswählen des Modus wird ein Code mit 4 (zufälligen) Ziffern angezeigt. Starten Sie die Suche nach Bluetooth-Peripheriegeräten über Ihr Telefon. Sobald Sie die Freisprecheinrichtung gefunden haben, markieren Sie sie und geben den zuvor angezeigten Code ein.

Hinweis: Um eine größere Kompatibilität mit Telefonen bereitstellen zu können, werden in den zukünftigen Versionen mit Sicherheit noch weitere Kopplungsmodi hinzukommen.

Sprache

Wählen Sie eine Sprache für die Anzeige der Menüs auf dem 3200 LS-Color.

Anzeige

Anhand der verfügbaren 5 Rubriken können Sie die Datenanzeige wunschgemäß anpassen:

- **Helligkeit:** Stellen Sie mithilfe des Reglerrads das gewünschte Niveau ein und bestätigen Sie Ihre Einstellung durch Drücken des Reglerrads.
- **Telefonbuch-Zoom:** Ermöglicht eine Anzeige der Telefonbucheinträge über 3 oder 4 Zeilen.
- **Hintergrund:** Ermöglicht Ihnen die Auswahl eines Hintergrundbilds.
- **Thema:** Verweist auf die Auswahl eines Farbthemas.

Töne

- **Lautstärke:** Stellen Sie mithilfe des Reglerrads die Lautstärke der Gesprächsübertragung und den Grad der Empfindlichkeit der Mikrofone ein.
- **Gesprochene Menüs:** Stellen Sie die Lautstärke für die von der Freisprecheinrichtung laut ausgegebenen Elemente auf das gewünschte Niveau ein.
- **Wahl des Klingeltons:** Wählen Sie für die Telefone, die bei eingehenden Anrufen nicht einen eigenen Klingelton ausgeben, den Klingelton, der beim Anruf eines Teilnehmers ertönen soll.

Automatische Antwort

Aktivieren Sie diesen Modus, wenn das 3200 LS-Color eingehende Anrufe automatisch annehmen soll

Infos

Dieses Menü ermöglicht Ihnen die Anzeige von Informationen zur Version der geladenen Software.

AKTUALISIERUNG

Sie haben die Möglichkeit, die Softwareversion Ihres 3200 LS-Color über eine Bluetooth-Verbindung zu aktualisieren. Aktivieren Sie vor der Aktualisierung diesen Modus. Die Aktualisierung erfolgt dann per Bluetooth über einen Bluetooth-fähigen Computer.

Durch eine Aktualisierung können neue Funktionen hinzugefügt werden. Außerdem lässt sich die Kompatibilität mit den jeweils neuesten Funktionen von immer mehr Telefonen verbessern.

Weitere Informationen hierzu finden Sie auf unserer Website: www.parrot.biz.

PARROT 3400 LS-GPS

Das Freispreckit Parrot 3400 LS-GPS umfasst ein GPS-Modul (Global Positioning System), das die Bestimmung der augenblicklichen Fahrzeugposition ermöglicht. Diese Information kann per Bluetooth über einen für die meisten PDAs und Smartphones zugänglichen Kanal abgerufen werden, sofern diese mit einer Navigationssoftware ausgestattet sind.

Aufbau einer Verbindung zum GPS-Dienst

Wenn Ihr PDA oder Smartphone mit einem Navigationsprogramm ausgerüstet ist, brauchen Sie das Peripheriegerät nur mit dem Parrot 3400 zu koppeln und können dann eine serielle Bluetooth-Verbindung über den GPS-Anschluss herstellen (die Nummer des zu verwendenden seriellen Ausgangs hängt von Ihrem PDA bzw. Smartphone ab).

Auf Ihrem Gerät ist dann die Konfiguration NMEA 0183v2 9600 auszuwählen, sobald die Navigationssoftware Sie zu dieser Angabe auffordert.

English

Français

Español

Dutch Italiano

Deutsch

Português

Verschiedene Status sind möglich:

- Status 1: Keine GPS-Verbindung - Keine Positionsbestimmung (Satellitensymbol grau abgeblendet)
- Status 2: Keine GPS-Verbindung - Die Positionsbestimmung ist erfolgt (farbiges Satellitensymbol)
- Status 3: GPS-Verbindung - Keine Positionsbestimmung (Satellitensymbol grau abgeblendet, zusätzliches Sendesymbol)
- Status 4: GPS-Verbindung - Positionsbestimmung ist erfolgt (farbiges Satellitensymbol, zusätzliches Sendesymbol)

Anmerkung: Die durchgeführte Positionsbestimmung verweist auf die Gültigkeit der von der Freisprecheinrichtung empfangenen Satellitendaten.

Vorgehensweise für den Aufbau einer Verbindung zum GPS-Dienst:

1. Es besteht bereits eine Bluetooth-Verbindung zu Ihrem Mobiltelefon:

- ♦ Trennen Sie die Verbindung zu Ihrem Telefon (halten Sie die rote Taste auf der Freisprecheinrichtung 2 Sekunden lang gedrückt). Die Freisprecheinrichtung weist dann Status 1 oder 2 (wenn die Position bestimmt wurde) auf.
- ♦ Stellen Sie ausgehend von Ihrer Navigationssoftware (auf dem PDA oder Smartphone) eine Verbindung zum GPS-Dienst des 3400 LS-GPS her. Die Freisprecheinrichtung weist dann Status 3 oder 4 auf.
- ♦ Nach dem Aufbau der Verbindung erscheint ein Sendesymbol unter dem Satelliten. Wird der Satellit farbig dargestellt, dann wurde die Position erfolgreich bestimmt (die Freisprecheinrichtung weist Status 4 auf). In der oberen rechten Ecke des Bildschirms wird zudem die bereits zurückgelegte Strecke angegeben.
- ♦ Bei aktiver GPS-Verbindung stellt die Freisprecheinrichtung automatisch wieder eine Verbindung zum Telefondienst Ihres Telefons her.

2. Es besteht keine Bluetooth-Verbindung zu Ihrem Mobiltelefon:

- ♦ Stellen Sie ausgehend von Ihrer Navigationssoftware (auf dem PDA oder Smartphone) eine Verbindung zum GPS-Dienst des 3400 LS-GPS her. Die Freisprecheinrichtung weist dann Status 3 oder 4 auf.
- ♦ Nach dem Aufbau der Verbindung erscheint ein Sendesymbol unter dem Satelliten. Wird der Satellit farbig dargestellt, dann wurde die Position erfolgreich bestimmt (die Freisprecheinrichtung weist Status 4 auf). In der oberen rechten Ecke des Bildschirms wird zudem die bereits zurückgelegte Strecke angegeben.
- ♦ Sie können jetzt Ihr Telefon koppeln bzw. eine Verbindung zu Ihrem Telefon herstellen.

Sprachanweisungen Ihres Navigationssystems

Nach dem Aufbau der Verbindung zum GPS-Dienst können die Sprachanweisungen über die Lautsprecher im Wagen wiedergegeben werden. Damit sind ideale Navigationsbedingungen gegeben (diese Funktion steht nur mit bestimmten PDA- und Smartphone-Typen zur Verfügung und hängt zudem von Ihrer Software ab). Dazu brauchen Sie lediglich auf Ihrem PDA oder Smartphone den mit der Freisprecheinrichtung verfügbaren Kopfhörer/Headset-Dienst aktivieren. Wenn eine Verbindung zum GPS-Modul der Freisprecheinrichtung besteht, werden alle ein- und ausgehenden Anrufe automatisch verwaltet, um eine optimale Nutzung des Telefondienstes zu gewährleisten.



GPS-MENÜ

Im GPS-Menü können Sie den GPS-Dienst vollständig deaktivieren, wenn der Zugriff Dritter auf diesen Dienst verhindert werden soll. Darüber hinaus stehen nach dem GPS-Verbindungs Aufbau Menüs zur individuellen Gestaltung der Anzeige bereit: Anzahl der Satelliten, Entfernung (Kilometer oder Meilen) usw.

Anmerkung: Wenn Ihr Kraftfahrzeug mit einer athermischen Windschutzscheibe ausgestattet ist, ist der Empfang des GPS-Signals u. U. von schlechter Qualität. In diesem Fall kann eine externe Antenne hinzugefügt werden, die mit der Rückseite des Bildschirms verbunden wird. Diese Antenne erhalten Sie bei Ihrem Fachhändler.

HOTLINE

Unsere Hotline steht zu Ihrer Verfügung - per E-Mail oder Telefon: Montag bis Freitag von 9:00 Uhr bis 18:00 Uhr (GMT +1).

Weitere Informationen finden Sie auf unserer Website www.parrot.biz.



HINWEIS

3200 LS-COLOR / 3400 LS-GPS

Manual de utilização - Guia do utilizador



Português
Deutsch Dutch Italiano Español Français English

INTRODUÇÃO

A tecnologia Bluetooth® permite estabelecer comunicações de voz ou dados através de uma ligação de rádio de curta distância. Com ela, muitos equipamentos electrónicos podem comunicar entre eles, nomeadamente os telefones e os kits mãos-livres.

O Parrot aproveita os seus muitos anos de experiência em matéria de tratamento de sinal e de reconhecimento de voz para introduzir um kit mãos-livres que permite uma qualidade de som superior durante as comunicações.

Obrigado por ter comprado um kit mãos-livres Parrot. Com o Parrot 3200 LS-Color, vai poder telefonar no seu carro sem tirar as mãos do volante.

Com a sua interface de cor e o seu fundo de ecrã que pode ser personalizado, o Parrot 3200 LS-Color é o kit mãos-livres mais agradável de utilizar. Funciona como uma verdadeira extensão do seu telemóvel.

Esperemos que poderá dar-lhe uma completa satisfação.

CONTEÚDO DA EMBALAGEM

- Ecrã LCD de cor.
- Cabo de instalação.
- Caixa electrónica.
- Manual de utilização.
- Suportes de fixação.
- Microfone.

INSTALAÇÃO

Decida primeiro onde deseja colocar o seu ecrã a cores no habitáculo do seu veículo. Aconselhamos uma instalação no centro do seu painel de bordo ou perto de si.

Certifique-se de que tem um bom ângulo de visão sobre o ecrã e que este não obstrui a sua visibilidade relativamente à estrada. Depois de ter instalado completamente o kit mãos-livres e depois da sua colocação em serviço, poderá ajustar a luminosidade do ecrã.

A ficha do microfone pode ser ligada em dois locais à escolha. Directamente à parte lateral do ecrã ou ao cabo ligado à parte inferior do ecrã. O microfone é colocado do lado esquerdo para uma melhor qualidade do som.

O cabo de instalação é equipado com conectores " ISO " e com uma saída " line out " para uma ligação directa com o amplificador, se possuir um.

O cabo de instalação é equipado com conectores " ISO " e com uma saída " line out " para uma ligação directa com o amplificador, se possuir um.

Autorádio com entradas " line in ":

Utilize preferencialmente este tipo de conexão ligando os cabos castanho e branco (ou vermelho e preto), bem como o fio amarelo do Mute, na parte posterior do seu auto-rádio

Autorádio com conector " ISO ":

Desligue os feixes áudio e a alimentação do seu autorádio. Ligue os conectores fêmea do cabo do kit ao autorádio. Ligue os feixes áudio e a alimentação da viatura aos conectores macho. Se o autorádio possui uma entrada Mute, ligue o fio amarelo do cabo do kit a uma das entradas Mute 1, 2 ou 3.

Autorádio sem conector " ISO ":

Deve arranjar um cabo adaptador " ISO ".

Instalação do cabo do kit:

. O fio vermelho do cabo do kit deve estar conectado à +12V permanente, o fio laranja à 12V pós-contacto e o fio preto à massa.

. Verifique o esquema eléctrico do feixe " ISO " do autorádio.

Em algumas viaturas, torna-se necessário inverter as posições dos fios vermelho e laranja.

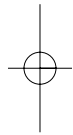
Esta operação pode ser realizada simplesmente através da inversão dos dois porta-fusíveis.

. Não ligue nunca o fio laranja à 12V permanente, poderia descarregar a bateria da sua viatura.

Verificação da instalação:

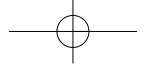
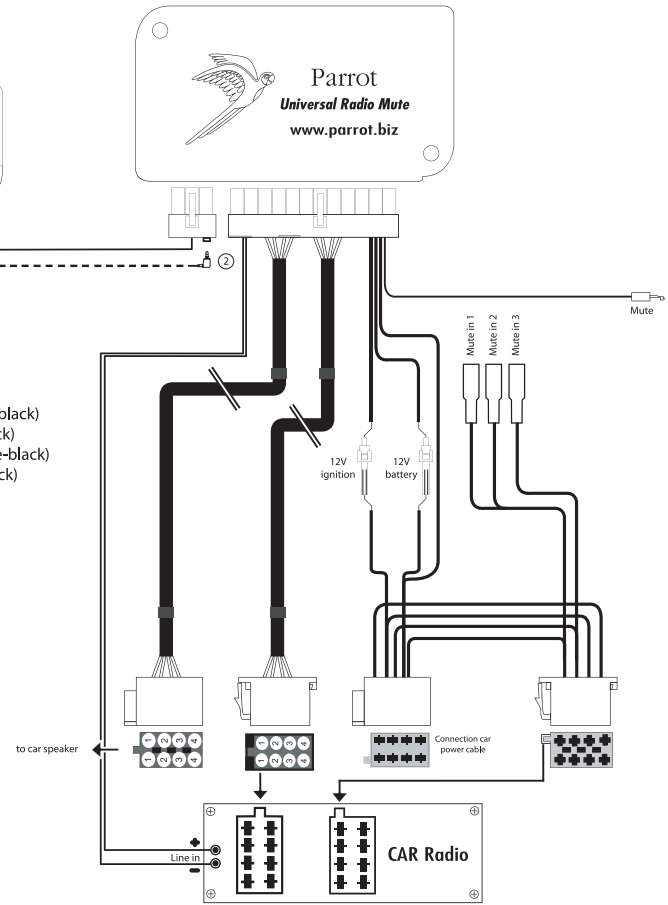
. Se o seu 3200 LS-Color está instalado de maneira correcta, deve ver a mensagem " adeus " no ecrã quando corta a ignição da sua viatura.

Se não aparecer a mensagem, significa que a 12V chave e a 12V permanente foram invertidas. Nesse caso, inverta os dois porta-fusíveis do cabo de alimentação do kit.



Loud speakers

- 1 - Rear right speaker (purple/purple-black)
- 2 - Front right speaker (grey/grey-black)
- 3 - Front left speaker (white-red/white-black)
- 4 - Rear left speaker (green/green-black)



ACOPLAMENTO COM O SEU TELEFONE: Primeira utilização

No momento da primeira colocação sob tensão do 3200 LS-Color, é necessário acoplar o seu telemóvel com o kit.

- . Active o Bluetooth no seu telefone.
- . No kit mãos-livres, percorra os menus até: Preferências, Acoplar telefone..., e seleccione a opção correspondente ao seu telefone. É apresentado um código PIN de 4 números no ecrã. Memorize-o.
- . Inicie uma procura de periféricos: Para mais informações sobre a operação, veja o manual do seu telefone (capítulo Bluetooth) ou visite o nosso sítio web:
www.pparrot.biz/guide_chm/3200LS_COLOR/index.html
- . Depois do fim da procura, "Parrot 3200LS / Parrot 3400LS " aparece no seu telefone.
- . Seleccione o kit. O telefone solicitar-lhe-á que introduza um código: digite o código apresentado no ecrã do kit e efectue a validação no telefone.
- . " Acoplamento em curso " aparece no ecrã do kit.
- . Depois do envio dos dados, " acoplamento acabado " aparece no 3200 LS-Color.
- . O 3200 LS-Color entra então em conexão com o seu telefone. Depois do estabelecimento da conexão, o logótipo Bluetooth aparece no ecrã (excepto para alguns telefones que utilizam o perfil Headset).
- . Alguns telefones oferecem funcionalidades adicionais, tais com a

visualização do nome do seu telefone no ecrã do kit, a visualização dos níveis de rede e de bateria, assim como o nome do seu operador.

Os menus tornam-se acessíveis e o respectivo nome é apresentado pelo kit mãos-livres quando se roda o selector. Aceda aos menus premindo o botão verde (ou o selector). Para sair, prima o botão vermelho.



Pode então utilizar o seu kit mãos-livres para comunicar.

- . **Atender uma chamada:** carregue no botão verde para atender a chamada.
- . **Desligar uma chamada:** clique no botão vermelho.
- . **Função Bis:** carregue durante dois segundos no botão verde do kit para ligar para o último número marcado.
- . **Ajustar o volume:** durante uma comunicação, pode rodar o selector para ajustar o volume.

FUNCIONALIDADES

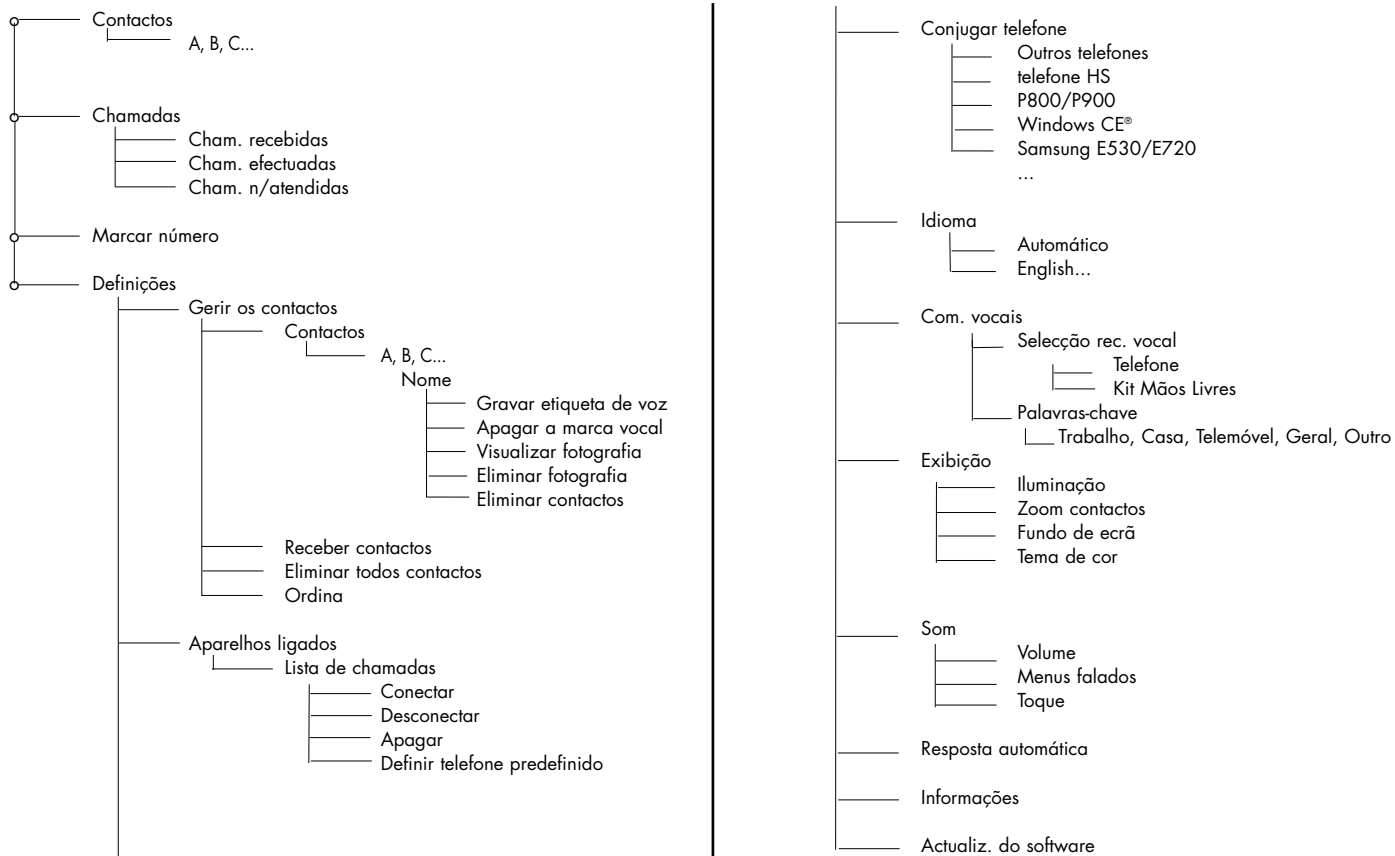
No ecrã do kit, poderá encontrar as principais informações sobre o seu telefone, nomeadamente a sua lista telefónica.

- ♦ Transferência automática da sua lista telefónica.
- ♦ Visualização do nome e da imagem de quem está a ligar.
- ♦ Chamada dos contactos através do reconhecimento de voz do kit.
- ♦ Corte do autorádio durante a comunicação.
- ♦ Lista de chamadas
- ♦ Ajuste do volume durante a comunicação.
- ♦ Gestão da chamada tripartida.
- ♦ Remarcação automática do último número chamado.
- ♦ Substituição do fundo de ecrã.
- ♦ Ajuste da luminosidade.
- ♦ Selecção do toque.
- ♦ Escolha da língua.
- ♦ DTMF: durante uma chamada do seu atendedor de chamadas, prima o selector para poder ter acesso aos números que lhe permitem gerir as suas mensagens



Nota: a maioria destes funcionalidades dependem do seu telefone.

MENUS



ACESSO AOS MENUS

Lista telefónica

Depois do acoplamento com o 3200 LS-Color, a sincronização da sua lista telefónica começa automaticamente (*). Depois de terminada a sincronização, poderá aceder à lista telefónica do seu telefone a partir do ecrã do kit mãos-livres. Para aceder à mesma e ligar para um contacto, carregue uma vez no selector para aceder aos menus e seleccione depois Lista telefónica. Percorra as letras até chegar à primeira letra do nome da pessoa pretendida e valide. Poderá então ver o nome e os diversos números de telefone dessa pessoa.

Selecione então o número de telefone que deseja marcar.

(*). Depende do modelo do seu telefone Bluetooth. Veja o nosso sítio internet www.pparrot.biz para obter as últimas informações sobre a sincronização.

Lista de chamadas

Esta secção permite visualizar a lista das chamadas e inclui três submenus: Chamadas perdidas / Chamadas recebidas / Chamadas efectuadas. Sincroniza-se automaticamente com a do seu telefone (*), e pode-se aceder à mesma para ligar para um contacto cuja chamada ficou perdida.

- Seleccione o contacto a partir desses menus.
- Carregue no selector ou no botão verde para remarcar o número.

(*). Depende do modelo do seu telefone Bluetooth.

Marcar o número

Selecione este menu para marcar um número directamente a partir do kit.

- Rode e prima o selector para seleccionar um número.
- O ícone do lixo apaga o último dígito.
- Depois de marcar o número, carregue no botão verde para iniciar a chamada.

PREFERÊNCIAS

Este menu permite uma utilização mais confortável do seu 3200 LS-Color.

Gerir os contactos

Este menu permite-lhe gerir os contactos do Parrot 3200LS Color. Depois de seleccionar o contacto na lista (aceder ao menu Gerir os contactos), poderá gravar ou eliminar uma etiqueta de voz, ver ou apagar uma fotografia ou eliminar o contacto da lista telefónica.

Para receber um contacto com fotografia anexada (se for suportada pelo telefone), seleccione Receber um contacto. A partir do seu telefone, seleccione o contacto a enviar pelo Bluetooth para o kit mãos-livres. A partir deste momento, sempre que esta pessoa lhe telefonar, a sua fotografia e o seu nome serão apresentados no ecrã do kit.

Veja o manual de utilização do seu telefone ou visite o sítio [www.pparrot.biz/guide_CHM/3200LS Color/index.html](http://www.pparrot.biz/guide_CHM/3200LS%20Color/index.html).



RECONHECIMENTO DE VOZ

Escolha do reconhecimento de voz

O reconhecimento de voz do 3200 LS-Color é mais completo e robusto do que os dos telefones e funciona em ambiente com ruído.

- **Reco carkit:** as vozes seleccionadas são as que foram guardadas na memória do kit mãos-livres.
- **Reco telefone:** as vozes seleccionadas são as que foram guardadas na memória do telefone.

Palavras chave

Guardar palavras chave permite-lhe telefonar sem nunca ter de tirar as mãos do volante. Pode controlar a totalidade da comunicação com a sua voz.

Palavras chave: Casa, escritório, telemóvel, geral, outro.

As palavras chave permitem seleccionar o número de telefone pretendido quando um contacto possui vários números. Todas as palavras chave devem ter sido guardadas para ficarem validadas.

Depois de guardar as palavras-chave, deve seguir os seguintes passos para fazer um telefonema através do reconhecimento de voz:

Prima o botão verde e, depois do sinal sonoro, diga: "João Silva...(bip)...Escritório...". Pode então ligar para o João Silva através do número de telefone atribuído ao Escritório.

Aparelhos acoplados

O 3200 LS-Color permite-lhe acoplar até 5 telefones Bluetooth, sabendo que um só pode estar conectado durante uma sessão.

O menu Aparelhos acoplados lhe permite conectar, desconectar ou suprimir um telefone da memória dum kit.

A partir de Definir telefone predefinido, pode controlar a prioridade dada ao

telefone Bluetooth durante as conexões com vários telefones presentes no carro.

Cuidado:

Quando se suprime um acoplamento, perdem-se todas as vozes atribuídas aos contactos desse telefone.

Emparelhar um telefone

Antes de emparelhar o seu telefone Bluetooth, é preciso activar o modo que corresponde ao seu telefone Bluetooth.

Os diversos modos são os seguintes:

- Outro telefone
- Telefones Headset
- P800-P900
- Windows CE
- Sony-Ericsson K600, W800, K750
- Samsung E530, E720,
- Samsung D500, Sagem My-X8
- Motorola iDEN 605
- Samsung Z140, Z300, Z500

Depois de seleccionar o modo, é apresentado um código de 4 números (aleatório). Inicie a procura de periféricos Bluetooth a partir do seu telefone. Depois de ter encontrado o kit mãos-livres, seleccione e introduza este código.

Nota: Para uma maior compatibilidade com os telefones, novos modos de emparelhamento podem ser acrescentados na versões futuras.

Língua

Selecione a língua de visualização dos menus do seu 3200 LS-Color.

Visualização

5 seções permitem-lhe personalizar a visualização das informações:

- **Luminosidade:** Utilize o selector para obter o nível desejado e valide com um clique no selector.
- **Zoom Lista telefónica:** Permite a visualização em 3 ou 4 linhas no menu Lista telefónica.
- **Fundo de ecrã:** Permite seleccionar uma imagem para o fundo do ecrã.
- **Tema:** Corresponde à selecção dum tema de cor.

Sons

- **Volumes:** Utilize o selector para controlar o nível do volume da comunicação e o nível de sensibilidade dos micros.
- **Menus voz:** Ajuste o volume dos prompts do kit mãos-livres até ao nível pretendido.
- **Escolha do toque:** Para os telefones que não tocam quando chega uma chamada, selecione o toque que deseja ouvir quando um contacto está a ligar.

Resposta automática

Active este modo se deseja que o 3200 LS-Color atenda automaticamente as chamadas.

Informação

Este menu permite consultar as informações relativas à versão software embarcada.

ACTUALIZAÇÃO

Pode actualizar a versão do software do seu 3200 LS-Color com o Bluetooth. Active o modo antes da actualização.

Está será realizada pelo Bluetooth a partir de um computador equipado com o Bluetooth.

A actualização permite novas funcionalidades e melhora a compatibilidade com as funções avançadas de cada vez mais telefones.

Visite o nosso sítio web para obter mais informações: www.parrot.biz.

PARROT 3400 LS-GPS

O kit Parrot 3400LS-GPS possui um módulo GPS (Global Positioning System) que dá acesso à posição instantânea do veículo. Esta informação é disponibilizada pelo Bluetooth através de um canal acessível à maioria dos PDA e dos Smartphones, caso estejam equipados com um software de navegação.

INSTRUÇÕES DE LIGAÇÃO AO SERVIÇO GPS

Se dispõe de uma aplicação de navegação no seu PDA ou Smartphone, bastará acoplar este periférico ao Parrot 3400 e abrir uma ligação da série Bluetooth à porta GPS (o número da porta série de saída a utilizar depende do seu PDA ou Smartphone).

Caso o software de navegação lhe solicite essa informação, a configuração a seleccionar no seu aparelho é NMEA 0183v2 9600.

São possíveis vários estados:

- Estado 1: Sem ligação GPS - Sem "fix" (ícone satélite cinzento).
- Estado 2: Sem ligação GPS - "Fix" activo (ícone satélite colorido).
- Estado 3: Com ligação GPS - Sem "fix" (ícone satélite cinzento, com um símbolo de emissão).
- Estado 4: Com ligação GPS - "Fix" activo (ícone satélite colorido, com um símbolo de emissão).

Nota : O "fix" indica que os dados do satélite recebidos pelo kit mãos livres são válidos.

Instruções de ligação ao serviço GPS :

1. Se já estiver ligado ao Bluetooth através do seu telefone:

- ♦ Desligue o telefone (prima o botão vermelho do Kit mãos livres durante 2 segundos). O kit mãos livres fica no estado 1 ou 2 (se o "fix" estiver activo).
- ♦ A partir do seu software de navegação (instalado no PDA ou Smartphone), ligue-se ao serviço GPS do 3400LS-GPS. O kit mãos livres fica no estado 3 ou 4.
- ♦ Uma vez ligado, surgirá um símbolo de emissão sob o satélite. Se o satélite estiver colorido, o "fix" é activado (kit mãos livres no estado 4). Obterá também a distância percorrida, que surgirá no canto superior direito do ecrã.
- ♦ Uma vez estabelecida a ligação GPS, o kit voltará a ligar-se automaticamente ao serviço de telefonia do seu telefone.

2. Se não estiver ligado ao Bluetooth através do seu telefone:

- ♦ A partir do software de navegação (instalado no seu PDA ou Smartphone), ligue-se ao serviço GPS do 3400LS-GPS. O kit mãos livres fica então no estado 3 ou 4.
- ♦ Uma vez ligado, aparecerá um símbolo de emissão sob o satélite. Se o satélite estiver colorido, o "fix" é activado (kit mãos livres no estado 4). Obterá também a distância percorrida que aparecerá no canto superior direito do ecrã.
- ♦ Poderá agora sincronizar/ligar o seu telefone.

Indicações de navegação por voz

Uma vez ligado o serviço GPS, é possível ouvir as instruções por voz através dos altifalantes do seu veículo. A navegação far-se-á assim em melhores condições (esta funcionalidade apenas está disponível em determinados tipos de PDA's e Smartphones, dependendo também do software). Para isso, basta abrir a função Auricular/Headset a partir do seu PDA ou Smartphone, disponível no kit mãos livres.

Quando estiver ligado ao GPS do kit mãos livres, as chamadas recebidas e realizadas são geridas automaticamente, para lhe permitir a utilização do serviço de telefonia nas melhores condições.

MENU GPS

Nesta rubrica pode desactivar completamente o serviço GPS a fim de evitar que alguém aceda a este serviço.

Encontrará também menus que permitem a personalização das imagens quando estiver ligado ao GPS: número de satélites, distância (Quilómetros ou milhas) ...

Nota : Se o seu automóvel estiver equipado com pára-brisas atérmico, a qualidade de recepção do sinal GPS pode não ser a melhor. Nesse caso, é possível instalar uma antena externa, que é ligada à parte de trás do ecrã. Para a obter, contacte o seu fornecedor.



HOTLINE

A nossa hot-line está ao seu dispor. Pode contactá-la por mail ou por telefone. Permanência da segunda à sexta-feira das 9h00 às 18h00 (GMT +1).

Visite o nosso sítio Internet www.parrot.biz para obter mais informações.



NOTA



Parrot S.A. - 174, quai de Jemmapes - 75010 Paris - France
Fax +33 1 48 03 06 66 / Phone +33 1 48 03 60 60
<http://www.parrot.biz>

FRE Français

SPA Español

ENG English

ITA Italiano

DUT Dutch

POR Português **GER Deutsch**



ZONE C



P1030202AC